

Whirlpool



Sigla Modello:

AWG 5600

AWG 5600

Codice commerciale:

853730726000

853730726000

KitchenAid

Whirlpool

Hotpoint

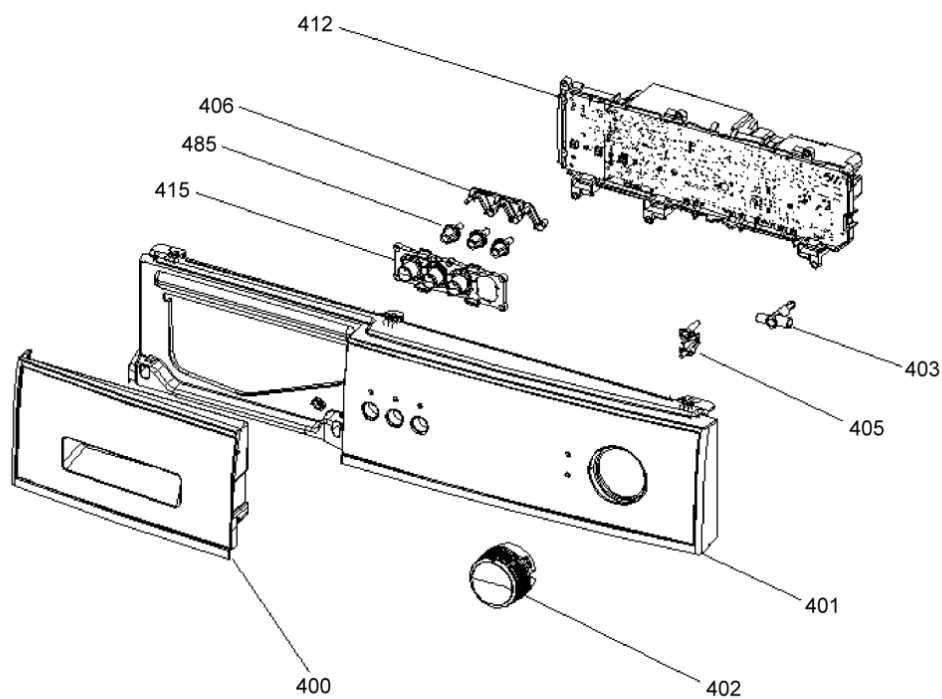
Bauknecht

i INDESIT

WHR22821

Tavole

CONTROL PANEL PARTS



853730726000_1

WHR22821

Lista

Ricambi

| Rif. | Cod.Ricam | Dal S/N | Al S/N | Sostituto | Descrizione | Notizia | Codice |
|------|-----------------------------|---------|--------|------------------------------------|---------------------|---------|--------|
| 001 | 480111101023 (C00425845) | | | | mobile | | |
| 002 | 480111101041 (C00425854) | | | | piano lavoro | | |
| 003 | 482000005853 (C00466467) | | | | frontalino | | |
| 004 | 480111102825 (C00427020) | | | 1 x 482000094811 (C00505645) | zoccolo complete | | |
| 005 | 481202308004 (C00318055) | | | | piedino | | |
| 006 | 480111101043 (C00339291) | | | | cornice porta outer | | |
| 007 | 481202308134 (C00454880) | | | | vetro oblo | | |
| 008 | 480111101044 (C00339295) | | | | cornice porta inner | | |
| 009 | 480111101025 (C00343394) | | | 1 x 482000094813 (C00505647) | anello di tenuta | | |
| 010 | 480111101045 (C00338989) | | | | serratura metalflex | | |
| 012 | 482000005854 (C00466468) | | | | cerniera | | |
| 014 | 480111101335 (C00426052) | | | | maniglia porta | | |
| 015 | 481202308013 (C00326634) | | | | molla | | |
| 016 | 481202308014 (C00326635) | | | | perno | | |
| 017 | 480111102063 (C00426447) | | | | aggancio | | |
| 020 | 481202308018 (C00319944) | | | 1 x 481010439191 (C00324319) | tubo carico | | |

| | | | |
|-----|-----------------------------|------------------------------------|-------------------------------|
| 022 | 480111101047 (C00337705) | | zoccolo |
| 023 | 480111101048 (C00342376) | 1 x 482000094817 (C00505678) | cover plinth |
| 024 | 480111101049 (C00425856) | | supporto |
| 026 | 480111101051 (C00336108) | | molla |
| 027 | 480111101052 (C00341461) | | perno |
| 028 | 481202308021 (C00326640) | | vite st 3,5*16 |
| 030 | 482000009782 (C00467098) | | vite |
| 050 | 480111101892 (C00426321) | 1 x 482000094819 (C00505680) | porta compl. |
| 100 | 482000005855 (C00466469) | 1 x 482000094820 (C00505681) | cinghia |
| 101 | 482000005856 (C00466470) | 1 x 482000015838 (C00314512) | puleggia |
| 102 | 480111103527 (C00427466) | 1 x 482000008794 (C00467009) | motore |
| 103 | 482000005857 (C00378990) | | semivasca |
| 104 | 481202308028 (C00326645) | 1 x 482000019803 (C00469085) | ammortizzatore |
| 105 | 481202308029 (C00326646) | | perno fissagg. ammortizzatore |
| 112 | 482000005858 (C00466471) | 1 x 482000094826 (C00505687) | contrappeso |
| 113 | 481202308032 (C00326648) | | guarnizione |
| 115 | 482000005859 (C00466472) | 1 x 482000009783 (C00345123) | fascetta |
| 117 | 482000005860 (C00466473) | | semivasca |
| 118 | 481202308153 (C00314811) | 1 x 482000094830 (C00505691) | guarniz.porta |

WHR22821

Lista

Ricambi

| Rif. | Cod.Ricam | Dal S/N | Al S/N | Sostituto | Descrizione | Notizia | Codice |
|------|-----------------------------|---------|--------|------------------------------------|-------------------------|---------|--------|
| 119 | 480111101026 (C00345144) | | | 1 x 482000094831 (C00505727) | staffa | | |
| 120 | 481202308137 (C00326709) | | | | contrappeso | | |
| 122 | 480111101027 (C00336685) | | | | vite | | |
| 124 | 481202308041 (C00326653) | | | 1 x 482000015843 (C00316905) | vite m8*25 | | |
| 126 | 482000006037 (C00466537) | | | | vite m 6x22 | | |
| 126 | 482000005862 (C00345176) | | | | vite 6 x 30 | | |
| 132 | 482000005863 (C00466475) | | | | cavo | | |
| 160 | 482000005864 (C00466476) | | | 1 x 482000010462 (C00319210) | cestello | | |
| 200 | 480111101053 (C00425857) | | | | cassetto | | |
| 201 | 482000009784 (C00467099) | | | 1 x 482000094840 (C00505736) | separatore | | |
| 202 | 480111101054 (C00425858) | | | 1 x 482000094841 (C00505737) | coperchio siphon | | |
| 203 | 480111101055 (C00425859) | | | 1 x 482000094842 (C00505772) | coperchio | | |
| 205 | 480111101057 (C00425861) | | | | distributore housing | | |
| 206 | 481202308052 (C00317529) | | | | soffietto | | |
| 207 | 481202308139 (C00326711) | | | | tubo carico valve / box | | |
| 208 | 481202308053 (C00326659) | | | | tubo | | |

| | | | |
|-----|-----------------------------|------------------------------------|-----------------------|
| 209 | 481202308055 (C00326661) | 1 x 482000094847 (C00505777) | elettrovalvola |
| 210 | 482000006001 (C00466512) | | sfera |
| 211 | 481202308056 (C00326662) | | tubo |
| 212 | 481202308057 (C00326663) | | trappola aria |
| 213 | 481202308058 (C00318077) | 1 x 482000019771 (C00335133) | drainhose |
| 215 | 482000005865 (C00466477) | 1 x 482000094848 (C00505778) | condensat.ant. |
| 219 | 481202308061 (C00326665) | 1 x 482000094849 (C00505779) | tubo scarico |
| 220 | 481202308062 (C00326666) | 1 x 482000094850 (C00505780) | hose |
| 221 | 481202308063 (C00326667) | 1 x 482000097690 (C00517353) | sospension |
| 222 | 481202308064 (C00326668) | 1 x 482000094852 (C00505782) | holder pressostat |
| 225 | 481202308065 (C00318079) | | pressostato |
| 228 | 481202308066 (C00326669) | | staffa |
| 234 | 481202308068 (C00326671) | | staffa |
| 235 | 481202308069 (C00326672) | | supporto |
| 238 | 481202308073 (C00326675) | | coperchio |
| 239 | 481202308122 (C00342894) | 1 x 482000094858 (C00505788) | cavo alimentaz. |
| 244 | 481202308079 (C00326681) | 1 x 481202308066 (C00326669) | staffa |
| 250 | 481202308082 (C00326683) | 1 x 482000094860 (C00505790) | cable clamp |
| 270 | 480111101058 (C00425862) | 1 x 482000094865 (C00505795) | distributore complete |

WHR22821

Lista

Ricambi

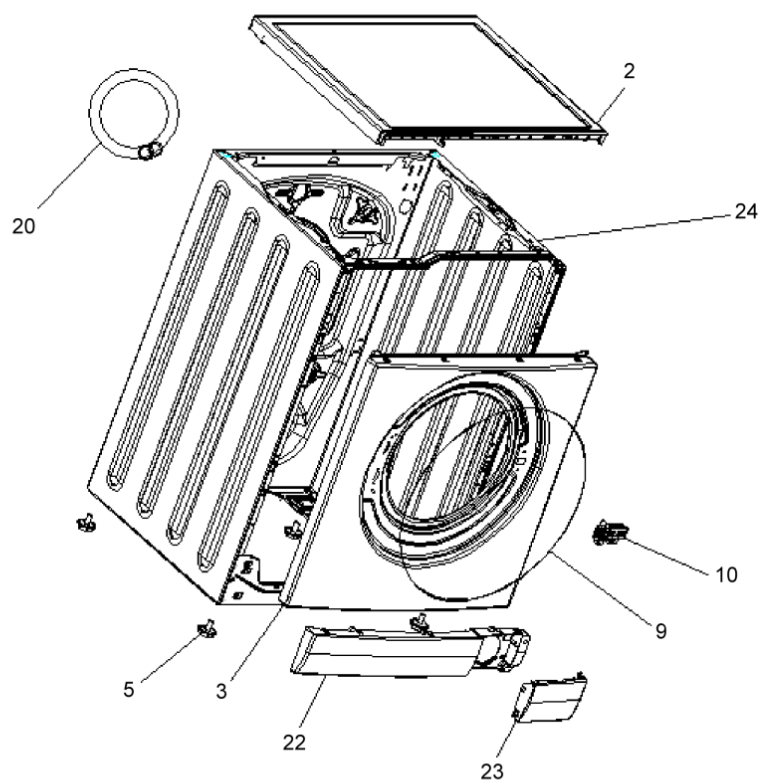
| Rif. | Cod.Ricam | Dal S/N | Al S/N | Sostituto | Descrizione | Notizia | Codice |
|------|-----------------------------|---------|--------|------------------------------------|---------------------------------------|---------|--------|
| 285 | 48200005868 (C00466479) | | | 1 x 480111101853 (C00312887) | pompa scarico | | |
| 290 | 481202308085 (C00326684) | | | | leva,sicurezza | | |
| 290 | 480111101365 (C00336552) | | | 1 x 482000094869 (C00505799) | vite | | |
| 296 | 48200005869 (C00466480) | | | | cavo | | |
| 400 | 48200005870 (C00466481) | | | | coperchio | | |
| 401 | 48200005871 (C00466482) | | | | mascherina | | |
| 402 | 480111101062 (C00425865) | | | | manopola | | |
| 405 | 480111101064 (C00425867) | | | | guida luce | | |
| 406 | 480111101065 (C00425868) | | | | guida luce | | |
| 407 | 481202308092 (C00317348) | | | | vite pt 3,5*9 | | |
| 410 | 481202308094 (C00326690) | | | 1 x 481250218457 (C00332068) | vite pt 4*14 | | |
| 412 | 48200005872 (C00466483) | | | | modulo comando b1-30- 22492ff00400 | | |
| 415 | 480111101067 (C00425870) | | | | tasto | | |
| 469 | 480111101063 (C00425866) | | | | adattatore | | |
| 485 | 480111101068 (C00425871) | | | | perno | | |
| 700 | 481202308107 (C00326699) | | | | supporto | | |

| | | | |
|-----|-----------------------------|------------------------------------|----------------------|
| 800 | 482000005873 (C00466484) | | molla vasca lavaggio |
| 806 | 481202308111 (C00326702) | | rondella 8,4*28*3 |
| 807 | 481202308109 (C00326701) | | vite pt 8*40 |
| 808 | 480111101071 (C00425873) | | vite |
| 811 | 481202308113 (C00326704) | | supporto |
| 812 | 481202308114 (C00326705) | 1 x 482000094891 (C00505819) | nut m 8 |
| 813 | 481202308115 (C00312961) | | ferma carico |
| 895 | 482000005874 (C00466485) | | molla |
| 896 | 482000010050 (C00467221) | | vite m 10x30 |
| 897 | 482000010051 (C00467222) | | rondella |
| 899 | 482000005875 (C00466486) | | resistenza |
| 919 | 482000006008 (C00466519) | | fascetta tubo |
| 920 | 482000006009 (C00466520) | | staffa |
| 998 | 481202308072 (C00326674) | | leva,sicurezza |
| 999 | 482000005876 (C00466487) | | sensore |

WHR22822

Tavole

FRONT PANEL PARTS



853730726000_2

WHR22822

Lista

Ricambi

| Rif. | Cod.Ricam | Dal S/N | Al S/N | Sostituto | Descrizione | Notizia | Codice |
|------|-----------------------------|---------|--------|------------------------------------|---------------------|---------|--------|
| 001 | 480111101023 (C00425845) | | | | mobile | | |
| 002 | 480111101041 (C00425854) | | | | piano lavoro | | |
| 003 | 482000005853 (C00466467) | | | | frontalino | | |
| 004 | 480111102825 (C00427020) | | | 1 x 482000094811 (C00505645) | zoccolo complete | | |
| 005 | 481202308004 (C00318055) | | | | piedino | | |
| 006 | 480111101043 (C00339291) | | | | cornice porta outer | | |
| 007 | 481202308134 (C00454880) | | | | vetro oblo | | |
| 008 | 480111101044 (C00339295) | | | | cornice porta inner | | |
| 009 | 480111101025 (C00343394) | | | 1 x 482000094813 (C00505647) | anello di tenuta | | |
| 010 | 480111101045 (C00338989) | | | | serratura metalflex | | |
| 012 | 482000005854 (C00466468) | | | | cerniera | | |
| 014 | 480111101335 (C00426052) | | | | maniglia porta | | |
| 015 | 481202308013 (C00326634) | | | | molla | | |
| 016 | 481202308014 (C00326635) | | | | perno | | |
| 017 | 480111102063 (C00426447) | | | | aggancio | | |
| 020 | 481202308018 (C00319944) | | | 1 x 481010439191 (C00324319) | tubo carico | | |

| | | | |
|-----|-----------------------------|------------------------------------|-------------------------------|
| 022 | 480111101047 (C00337705) | | zoccolo |
| 023 | 480111101048 (C00342376) | 1 x 482000094817 (C00505678) | cover plinth |
| 024 | 480111101049 (C00425856) | | supporto |
| 026 | 480111101051 (C00336108) | | molla |
| 027 | 480111101052 (C00341461) | | perno |
| 028 | 481202308021 (C00326640) | | vite st 3,5*16 |
| 030 | 482000009782 (C00467098) | | vite |
| 050 | 480111101892 (C00426321) | 1 x 482000094819 (C00505680) | porta compl. |
| 100 | 482000005855 (C00466469) | 1 x 482000094820 (C00505681) | cinghia |
| 101 | 482000005856 (C00466470) | 1 x 482000015838 (C00314512) | puleggia |
| 102 | 480111103527 (C00427466) | 1 x 482000008794 (C00467009) | motore |
| 103 | 482000005857 (C00378990) | | semivasca |
| 104 | 481202308028 (C00326645) | 1 x 482000019803 (C00469085) | ammortizzatore |
| 105 | 481202308029 (C00326646) | | perno fissagg. ammortizzatore |
| 112 | 482000005858 (C00466471) | 1 x 482000094826 (C00505687) | contrappeso |
| 113 | 481202308032 (C00326648) | | guarnizione |
| 115 | 482000005859 (C00466472) | 1 x 482000009783 (C00345123) | fascetta |
| 117 | 482000005860 (C00466473) | | semivasca |
| 118 | 481202308153 (C00314811) | 1 x 482000094830 (C00505691) | guarniz.porta |

WHR22822

Lista

Ricambi

| Rif. | Cod.Ricam | Dal S/N | Al S/N | Sostituto | Descrizione | Notizia | Codice |
|------|-----------------------------|---------|--------|------------------------------------|-------------------------|---------|--------|
| 119 | 480111101026 (C00345144) | | | 1 x 482000094831 (C00505727) | staffa | | |
| 120 | 481202308137 (C00326709) | | | | contrappeso | | |
| 122 | 480111101027 (C00336685) | | | | vite | | |
| 124 | 481202308041 (C00326653) | | | 1 x 482000015843 (C00316905) | vite m8*25 | | |
| 126 | 482000006037 (C00466537) | | | | vite m 6x22 | | |
| 126 | 482000005862 (C00345176) | | | | vite 6 x 30 | | |
| 132 | 482000005863 (C00466475) | | | | cavo | | |
| 160 | 482000005864 (C00466476) | | | 1 x 482000010462 (C00319210) | cestello | | |
| 200 | 480111101053 (C00425857) | | | | cassetto | | |
| 201 | 482000009784 (C00467099) | | | 1 x 482000094840 (C00505736) | separatore | | |
| 202 | 480111101054 (C00425858) | | | 1 x 482000094841 (C00505737) | coperchio siphon | | |
| 203 | 480111101055 (C00425859) | | | 1 x 482000094842 (C00505772) | coperchio | | |
| 205 | 480111101057 (C00425861) | | | | distributore housing | | |
| 206 | 481202308052 (C00317529) | | | | soffietto | | |
| 207 | 481202308139 (C00326711) | | | | tubo carico valve / box | | |
| 208 | 481202308053 (C00326659) | | | | tubo | | |

| | | | |
|-----|-----------------------------|------------------------------------|-----------------------|
| 209 | 481202308055 (C00326661) | 1 x 482000094847 (C00505777) | elettrovalvola |
| 210 | 482000006001 (C00466512) | | sfera |
| 211 | 481202308056 (C00326662) | | tubo |
| 212 | 481202308057 (C00326663) | | trappola aria |
| 213 | 481202308058 (C00318077) | 1 x 482000019771 (C00335133) | drainhose |
| 215 | 482000005865 (C00466477) | 1 x 482000094848 (C00505778) | condensat.ant. |
| 219 | 481202308061 (C00326665) | 1 x 482000094849 (C00505779) | tubo scarico |
| 220 | 481202308062 (C00326666) | 1 x 482000094850 (C00505780) | hose |
| 221 | 481202308063 (C00326667) | 1 x 482000097690 (C00517353) | sospension |
| 222 | 481202308064 (C00326668) | 1 x 482000094852 (C00505782) | holder pressostat |
| 225 | 481202308065 (C00318079) | | pressostato |
| 228 | 481202308066 (C00326669) | | staffa |
| 234 | 481202308068 (C00326671) | | staffa |
| 235 | 481202308069 (C00326672) | | supporto |
| 238 | 481202308073 (C00326675) | | coperchio |
| 239 | 481202308122 (C00342894) | 1 x 482000094858 (C00505788) | cavo alimentaz. |
| 244 | 481202308079 (C00326681) | 1 x 481202308066 (C00326669) | staffa |
| 250 | 481202308082 (C00326683) | 1 x 482000094860 (C00505790) | cable clamp |
| 270 | 480111101058 (C00425862) | 1 x 482000094865 (C00505795) | distributore complete |

WHR22822

Lista

Ricambi

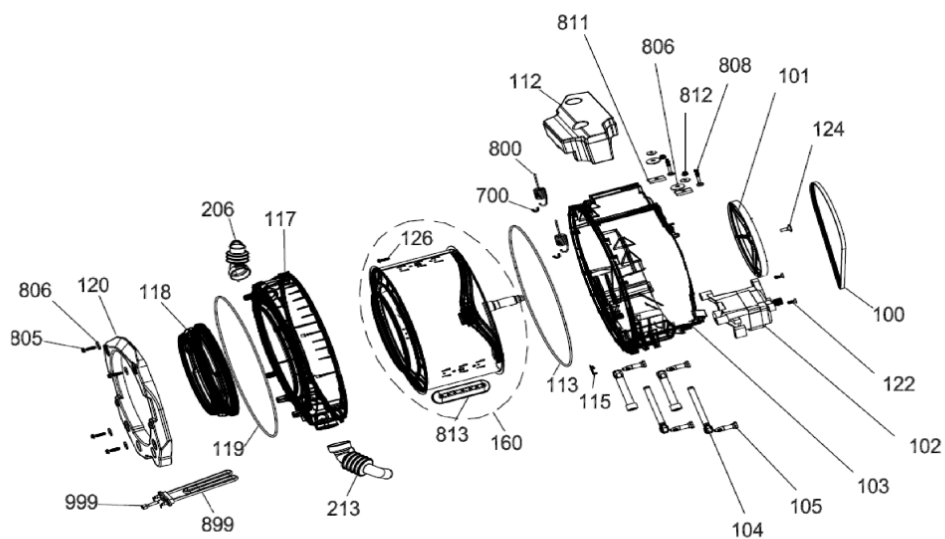
| Rif. | Cod.Ricam | Dal S/N | Al S/N | Sostituto | Descrizione | Notizia | Codice |
|------|-----------------------------|---------|--------|------------------------------------|---------------------------------------|---------|--------|
| 285 | 48200005868 (C00466479) | | | 1 x 480111101853 (C00312887) | pompa scarico | | |
| 290 | 481202308085 (C00326684) | | | | leva,sicurezza | | |
| 290 | 480111101365 (C00336552) | | | 1 x 482000094869 (C00505799) | vite | | |
| 296 | 48200005869 (C00466480) | | | | cavo | | |
| 400 | 48200005870 (C00466481) | | | | coperchio | | |
| 401 | 48200005871 (C00466482) | | | | mascherina | | |
| 402 | 480111101062 (C00425865) | | | | manopola | | |
| 405 | 480111101064 (C00425867) | | | | guida luce | | |
| 406 | 480111101065 (C00425868) | | | | guida luce | | |
| 407 | 481202308092 (C00317348) | | | | vite pt 3,5*9 | | |
| 410 | 481202308094 (C00326690) | | | 1 x 481250218457 (C00332068) | vite pt 4*14 | | |
| 412 | 48200005872 (C00466483) | | | | modulo comando b1-30- 22492ff00400 | | |
| 415 | 480111101067 (C00425870) | | | | tasto | | |
| 469 | 480111101063 (C00425866) | | | | adattatore | | |
| 485 | 480111101068 (C00425871) | | | | perno | | |
| 700 | 481202308107 (C00326699) | | | | supporto | | |

| | | | |
|-----|-----------------------------|------------------------------------|----------------------|
| 800 | 482000005873 (C00466484) | | molla vasca lavaggio |
| 806 | 481202308111 (C00326702) | | rondella 8,4*28*3 |
| 807 | 481202308109 (C00326701) | | vite pt 8*40 |
| 808 | 480111101071 (C00425873) | | vite |
| 811 | 481202308113 (C00326704) | | supporto |
| 812 | 481202308114 (C00326705) | 1 x 482000094891 (C00505819) | nut m 8 |
| 813 | 481202308115 (C00312961) | | ferma carico |
| 895 | 482000005874 (C00466485) | | molla |
| 896 | 482000010050 (C00467221) | | vite m 10x30 |
| 897 | 482000010051 (C00467222) | | rondella |
| 899 | 482000005875 (C00466486) | | resistenza |
| 919 | 482000006008 (C00466519) | | fascetta tubo |
| 920 | 482000006009 (C00466520) | | staffa |
| 998 | 481202308072 (C00326674) | | leva,sicurezza |
| 999 | 482000005876 (C00466487) | | sensore |

WHR22823

Tavole

WASHING GROUP PARTS



853730726000_3

WHR22823

Lista

Ricambi

| Rif. | Cod.Ricam | Dal S/N | Al S/N | Sostituto | Descrizione | Notizia | Codice |
|------|-----------------------------|---------|--------|------------------------------------|---------------------|---------|--------|
| 001 | 480111101023 (C00425845) | | | | mobile | | |
| 002 | 480111101041 (C00425854) | | | | piano lavoro | | |
| 003 | 482000005853 (C00466467) | | | | frontalino | | |
| 004 | 480111102825 (C00427020) | | | 1 x 482000094811 (C00505645) | zoccolo complete | | |
| 005 | 481202308004 (C00318055) | | | | piedino | | |
| 006 | 480111101043 (C00339291) | | | | cornice porta outer | | |
| 007 | 481202308134 (C00454880) | | | | vetro oblo | | |
| 008 | 480111101044 (C00339295) | | | | cornice porta inner | | |
| 009 | 480111101025 (C00343394) | | | 1 x 482000094813 (C00505647) | anello di tenuta | | |
| 010 | 480111101045 (C00338989) | | | | serratura metalflex | | |
| 012 | 482000005854 (C00466468) | | | | cerniera | | |
| 014 | 480111101335 (C00426052) | | | | maniglia porta | | |
| 015 | 481202308013 (C00326634) | | | | molla | | |
| 016 | 481202308014 (C00326635) | | | | perno | | |
| 017 | 480111102063 (C00426447) | | | | aggancio | | |
| 020 | 481202308018 (C00319944) | | | 1 x 481010439191 (C00324319) | tubo carico | | |

| | | | |
|-----|-----------------------------|------------------------------------|-------------------------------|
| 022 | 480111101047 (C00337705) | | zoccolo |
| 023 | 480111101048 (C00342376) | 1 x 482000094817 (C00505678) | cover plinth |
| 024 | 480111101049 (C00425856) | | supporto |
| 026 | 480111101051 (C00336108) | | molla |
| 027 | 480111101052 (C00341461) | | perno |
| 028 | 481202308021 (C00326640) | | vite st 3,5*16 |
| 030 | 482000009782 (C00467098) | | vite |
| 050 | 480111101892 (C00426321) | 1 x 482000094819 (C00505680) | porta compl. |
| 100 | 482000005855 (C00466469) | 1 x 482000094820 (C00505681) | cinghia |
| 101 | 482000005856 (C00466470) | 1 x 482000015838 (C00314512) | puleggia |
| 102 | 480111103527 (C00427466) | 1 x 482000008794 (C00467009) | motore |
| 103 | 482000005857 (C00378990) | | semivasca |
| 104 | 481202308028 (C00326645) | 1 x 482000019803 (C00469085) | ammortizzatore |
| 105 | 481202308029 (C00326646) | | perno fissagg. ammortizzatore |
| 112 | 482000005858 (C00466471) | 1 x 482000094826 (C00505687) | contrappeso |
| 113 | 481202308032 (C00326648) | | guarnizione |
| 115 | 482000005859 (C00466472) | 1 x 482000009783 (C00345123) | fascetta |
| 117 | 482000005860 (C00466473) | | semivasca |
| 118 | 481202308153 (C00314811) | 1 x 482000094830 (C00505691) | guarniz.porta |

WHR22823

Lista

Ricambi

| Rif. | Cod.Ricam | Dal S/N | Al S/N | Sostituto | Descrizione | Notizia | Codice |
|------|-----------------------------|---------|--------|------------------------------------|-------------------------|---------|--------|
| 119 | 480111101026 (C00345144) | | | 1 x 482000094831 (C00505727) | staffa | | |
| 120 | 481202308137 (C00326709) | | | | contrappeso | | |
| 122 | 480111101027 (C00336685) | | | | vite | | |
| 124 | 481202308041 (C00326653) | | | 1 x 482000015843 (C00316905) | vite m8*25 | | |
| 126 | 482000006037 (C00466537) | | | | vite m 6x22 | | |
| 126 | 482000005862 (C00345176) | | | | vite 6 x 30 | | |
| 132 | 482000005863 (C00466475) | | | | cavo | | |
| 160 | 482000005864 (C00466476) | | | 1 x 482000010462 (C00319210) | cestello | | |
| 200 | 480111101053 (C00425857) | | | | cassetto | | |
| 201 | 482000009784 (C00467099) | | | 1 x 482000094840 (C00505736) | separatore | | |
| 202 | 480111101054 (C00425858) | | | 1 x 482000094841 (C00505737) | coperchio siphon | | |
| 203 | 480111101055 (C00425859) | | | 1 x 482000094842 (C00505772) | coperchio | | |
| 205 | 480111101057 (C00425861) | | | | distributore housing | | |
| 206 | 481202308052 (C00317529) | | | | soffietto | | |
| 207 | 481202308139 (C00326711) | | | | tubo carico valve / box | | |
| 208 | 481202308053 (C00326659) | | | | tubo | | |

| | | | |
|-----|-----------------------------|------------------------------------|-----------------------|
| 209 | 481202308055 (C00326661) | 1 x 482000094847 (C00505777) | elettrovalvola |
| 210 | 482000006001 (C00466512) | | sfera |
| 211 | 481202308056 (C00326662) | | tubo |
| 212 | 481202308057 (C00326663) | | trappola aria |
| 213 | 481202308058 (C00318077) | 1 x 482000019771 (C00335133) | drainhose |
| 215 | 482000005865 (C00466477) | 1 x 482000094848 (C00505778) | condensat.ant. |
| 219 | 481202308061 (C00326665) | 1 x 482000094849 (C00505779) | tubo scarico |
| 220 | 481202308062 (C00326666) | 1 x 482000094850 (C00505780) | hose |
| 221 | 481202308063 (C00326667) | 1 x 482000097690 (C00517353) | sospension |
| 222 | 481202308064 (C00326668) | 1 x 482000094852 (C00505782) | holder pressostat |
| 225 | 481202308065 (C00318079) | | pressostato |
| 228 | 481202308066 (C00326669) | | staffa |
| 234 | 481202308068 (C00326671) | | staffa |
| 235 | 481202308069 (C00326672) | | supporto |
| 238 | 481202308073 (C00326675) | | coperchio |
| 239 | 481202308122 (C00342894) | 1 x 482000094858 (C00505788) | cavo alimentaz. |
| 244 | 481202308079 (C00326681) | 1 x 481202308066 (C00326669) | staffa |
| 250 | 481202308082 (C00326683) | 1 x 482000094860 (C00505790) | cable clamp |
| 270 | 480111101058 (C00425862) | 1 x 482000094865 (C00505795) | distributore complete |

WHR22823

Lista

Ricambi

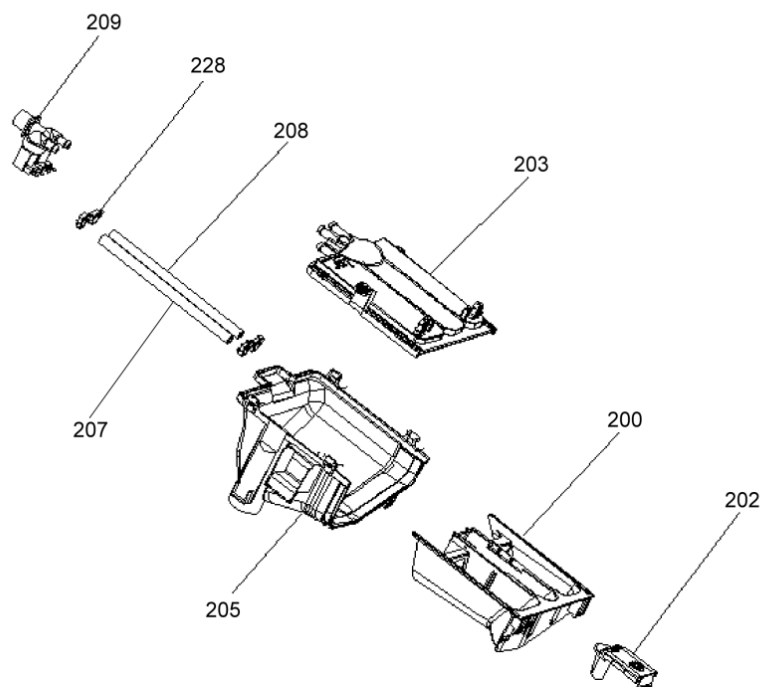
| Rif. | Cod.Ricam | Dal S/N | Al S/N | Sostituto | Descrizione | Notizia | Codice |
|------|-----------------------------|---------|--------|------------------------------------|---------------------------------------|---------|--------|
| 285 | 48200005868 (C00466479) | | | 1 x 480111101853 (C00312887) | pompa scarico | | |
| 290 | 481202308085 (C00326684) | | | | leva,sicurezza | | |
| 290 | 480111101365 (C00336552) | | | 1 x 482000094869 (C00505799) | vite | | |
| 296 | 48200005869 (C00466480) | | | | cavo | | |
| 400 | 48200005870 (C00466481) | | | | coperchio | | |
| 401 | 48200005871 (C00466482) | | | | mascherina | | |
| 402 | 480111101062 (C00425865) | | | | manopola | | |
| 405 | 480111101064 (C00425867) | | | | guida luce | | |
| 406 | 480111101065 (C00425868) | | | | guida luce | | |
| 407 | 481202308092 (C00317348) | | | | vite pt 3,5*9 | | |
| 410 | 481202308094 (C00326690) | | | 1 x 481250218457 (C00332068) | vite pt 4*14 | | |
| 412 | 48200005872 (C00466483) | | | | modulo comando b1-30- 22492ff00400 | | |
| 415 | 480111101067 (C00425870) | | | | tasto | | |
| 469 | 480111101063 (C00425866) | | | | adattatore | | |
| 485 | 480111101068 (C00425871) | | | | perno | | |
| 700 | 481202308107 (C00326699) | | | | supporto | | |

| | | | |
|-----|-----------------------------|------------------------------------|----------------------|
| 800 | 482000005873 (C00466484) | | molla vasca lavaggio |
| 806 | 481202308111 (C00326702) | | rondella 8,4*28*3 |
| 807 | 481202308109 (C00326701) | | vite pt 8*40 |
| 808 | 480111101071 (C00425873) | | vite |
| 811 | 481202308113 (C00326704) | | supporto |
| 812 | 481202308114 (C00326705) | 1 x 482000094891 (C00505819) | nut m 8 |
| 813 | 481202308115 (C00312961) | | ferma carico |
| 895 | 482000005874 (C00466485) | | molla |
| 896 | 482000010050 (C00467221) | | vite m 10x30 |
| 897 | 482000010051 (C00467222) | | rondella |
| 899 | 482000005875 (C00466486) | | resistenza |
| 919 | 482000006008 (C00466519) | | fascetta tubo |
| 920 | 482000006009 (C00466520) | | staffa |
| 998 | 481202308072 (C00326674) | | leva,sicurezza |
| 999 | 482000005876 (C00466487) | | sensore |

WHR22824

Tavole

DETERGENT DRAWER GROUP



853730726000_4

WHR22824

Lista

Ricambi

| Rif. | Cod.Ricam | Dal S/N | Al S/N | Sostituto | Descrizione | Notizia | Codice |
|------|-----------------------------|---------|--------|------------------------------------|---------------------|---------|--------|
| 001 | 480111101023 (C00425845) | | | | mobile | | |
| 002 | 480111101041 (C00425854) | | | | piano lavoro | | |
| 003 | 482000005853 (C00466467) | | | | frontalino | | |
| 004 | 480111102825 (C00427020) | | | 1 x 482000094811 (C00505645) | zoccolo complete | | |
| 005 | 481202308004 (C00318055) | | | | piedino | | |
| 006 | 480111101043 (C00339291) | | | | cornice porta outer | | |
| 007 | 481202308134 (C00454880) | | | | vetro oblo | | |
| 008 | 480111101044 (C00339295) | | | | cornice porta inner | | |
| 009 | 480111101025 (C00343394) | | | 1 x 482000094813 (C00505647) | anello di tenuta | | |
| 010 | 480111101045 (C00338989) | | | | serratura metalflex | | |
| 012 | 482000005854 (C00466468) | | | | cerniera | | |
| 014 | 480111101335 (C00426052) | | | | maniglia porta | | |
| 015 | 481202308013 (C00326634) | | | | molla | | |
| 016 | 481202308014 (C00326635) | | | | perno | | |
| 017 | 480111102063 (C00426447) | | | | aggancio | | |
| 020 | 481202308018 (C00319944) | | | 1 x 481010439191 (C00324319) | tubo carico | | |

| | | | |
|-----|-----------------------------|------------------------------------|-------------------------------|
| 022 | 480111101047 (C00337705) | | zoccolo |
| 023 | 480111101048 (C00342376) | 1 x 482000094817 (C00505678) | cover plinth |
| 024 | 480111101049 (C00425856) | | supporto |
| 026 | 480111101051 (C00336108) | | molla |
| 027 | 480111101052 (C00341461) | | perno |
| 028 | 481202308021 (C00326640) | | vite st 3,5*16 |
| 030 | 482000009782 (C00467098) | | vite |
| 050 | 480111101892 (C00426321) | 1 x 482000094819 (C00505680) | porta compl. |
| 100 | 482000005855 (C00466469) | 1 x 482000094820 (C00505681) | cinghia |
| 101 | 482000005856 (C00466470) | 1 x 482000015838 (C00314512) | puleggia |
| 102 | 480111103527 (C00427466) | 1 x 482000008794 (C00467009) | motore |
| 103 | 482000005857 (C00378990) | | semivasca |
| 104 | 481202308028 (C00326645) | 1 x 482000019803 (C00469085) | ammortizzatore |
| 105 | 481202308029 (C00326646) | | perno fissagg. ammortizzatore |
| 112 | 482000005858 (C00466471) | 1 x 482000094826 (C00505687) | contrappeso |
| 113 | 481202308032 (C00326648) | | guarnizione |
| 115 | 482000005859 (C00466472) | 1 x 482000009783 (C00345123) | fascetta |
| 117 | 482000005860 (C00466473) | | semivasca |
| 118 | 481202308153 (C00314811) | 1 x 482000094830 (C00505691) | guarniz.porta |

WHR22824

Lista

Ricambi

| Rif. | Cod.Ricam | Dal S/N | Al S/N | Sostituto | Descrizione | Notizia | Codice |
|------|-----------------------------|---------|--------|------------------------------------|-------------------------|---------|--------|
| 119 | 480111101026 (C00345144) | | | 1 x 482000094831 (C00505727) | staffa | | |
| 120 | 481202308137 (C00326709) | | | | contrappeso | | |
| 122 | 480111101027 (C00336685) | | | | vite | | |
| 124 | 481202308041 (C00326653) | | | 1 x 482000015843 (C00316905) | vite m8*25 | | |
| 126 | 482000006037 (C00466537) | | | | vite m 6x22 | | |
| 126 | 482000005862 (C00345176) | | | | vite 6 x 30 | | |
| 132 | 482000005863 (C00466475) | | | | cavo | | |
| 160 | 482000005864 (C00466476) | | | 1 x 482000010462 (C00319210) | cestello | | |
| 200 | 480111101053 (C00425857) | | | | cassetto | | |
| 201 | 482000009784 (C00467099) | | | 1 x 482000094840 (C00505736) | separatore | | |
| 202 | 480111101054 (C00425858) | | | 1 x 482000094841 (C00505737) | coperchio siphon | | |
| 203 | 480111101055 (C00425859) | | | 1 x 482000094842 (C00505772) | coperchio | | |
| 205 | 480111101057 (C00425861) | | | | distributore housing | | |
| 206 | 481202308052 (C00317529) | | | | soffietto | | |
| 207 | 481202308139 (C00326711) | | | | tubo carico valve / box | | |
| 208 | 481202308053 (C00326659) | | | | tubo | | |

| | | | |
|-----|-----------------------------|------------------------------------|-----------------------|
| 209 | 481202308055 (C00326661) | 1 x 482000094847 (C00505777) | elettrovalvola |
| 210 | 482000006001 (C00466512) | | sfera |
| 211 | 481202308056 (C00326662) | | tubo |
| 212 | 481202308057 (C00326663) | | trappola aria |
| 213 | 481202308058 (C00318077) | 1 x 482000019771 (C00335133) | drainhose |
| 215 | 482000005865 (C00466477) | 1 x 482000094848 (C00505778) | condensat.ant. |
| 219 | 481202308061 (C00326665) | 1 x 482000094849 (C00505779) | tubo scarico |
| 220 | 481202308062 (C00326666) | 1 x 482000094850 (C00505780) | hose |
| 221 | 481202308063 (C00326667) | 1 x 482000097690 (C00517353) | sospension |
| 222 | 481202308064 (C00326668) | 1 x 482000094852 (C00505782) | holder pressostat |
| 225 | 481202308065 (C00318079) | | pressostato |
| 228 | 481202308066 (C00326669) | | staffa |
| 234 | 481202308068 (C00326671) | | staffa |
| 235 | 481202308069 (C00326672) | | supporto |
| 238 | 481202308073 (C00326675) | | coperchio |
| 239 | 481202308122 (C00342894) | 1 x 482000094858 (C00505788) | cavo alimentaz. |
| 244 | 481202308079 (C00326681) | 1 x 481202308066 (C00326669) | staffa |
| 250 | 481202308082 (C00326683) | 1 x 482000094860 (C00505790) | cable clamp |
| 270 | 480111101058 (C00425862) | 1 x 482000094865 (C00505795) | distributore complete |

WHR22824

Lista

Ricambi

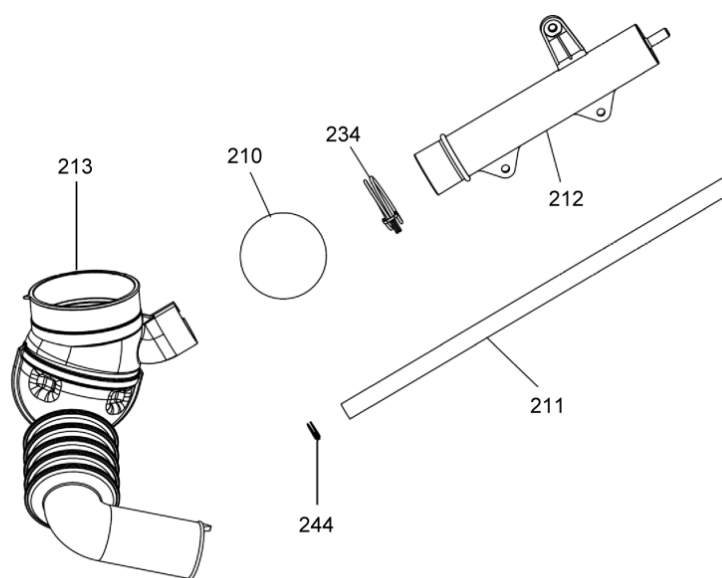
| Rif. | Cod.Ricam | Dal S/N | Al S/N | Sostituto | Descrizione | Notizia | Codice |
|------|-----------------------------|---------|--------|------------------------------------|---------------------------------------|---------|--------|
| 285 | 48200005868 (C00466479) | | | 1 x 480111101853 (C00312887) | pompa scarico | | |
| 290 | 481202308085 (C00326684) | | | | leva,sicurezza | | |
| 290 | 480111101365 (C00336552) | | | 1 x 482000094869 (C00505799) | vite | | |
| 296 | 48200005869 (C00466480) | | | | cavo | | |
| 400 | 48200005870 (C00466481) | | | | coperchio | | |
| 401 | 48200005871 (C00466482) | | | | mascherina | | |
| 402 | 480111101062 (C00425865) | | | | manopola | | |
| 405 | 480111101064 (C00425867) | | | | guida luce | | |
| 406 | 480111101065 (C00425868) | | | | guida luce | | |
| 407 | 481202308092 (C00317348) | | | | vite pt 3,5*9 | | |
| 410 | 481202308094 (C00326690) | | | 1 x 481250218457 (C00332068) | vite pt 4*14 | | |
| 412 | 48200005872 (C00466483) | | | | modulo comando b1-30- 22492ff00400 | | |
| 415 | 480111101067 (C00425870) | | | | tasto | | |
| 469 | 480111101063 (C00425866) | | | | adattatore | | |
| 485 | 480111101068 (C00425871) | | | | perno | | |
| 700 | 481202308107 (C00326699) | | | | supporto | | |

| | | | |
|-----|-----------------------------|------------------------------------|----------------------|
| 800 | 482000005873 (C00466484) | | molla vasca lavaggio |
| 806 | 481202308111 (C00326702) | | rondella 8,4*28*3 |
| 807 | 481202308109 (C00326701) | | vite pt 8*40 |
| 808 | 480111101071 (C00425873) | | vite |
| 811 | 481202308113 (C00326704) | | supporto |
| 812 | 481202308114 (C00326705) | 1 x 482000094891 (C00505819) | nut m 8 |
| 813 | 481202308115 (C00312961) | | ferma carico |
| 895 | 482000005874 (C00466485) | | molla |
| 896 | 482000010050 (C00467221) | | vite m 10x30 |
| 897 | 482000010051 (C00467222) | | rondella |
| 899 | 482000005875 (C00466486) | | resistenza |
| 919 | 482000006008 (C00466519) | | fascetta tubo |
| 920 | 482000006009 (C00466520) | | staffa |
| 998 | 481202308072 (C00326674) | | leva,sicurezza |
| 999 | 482000005876 (C00466487) | | sensore |

WHR22825

Tavole

PRESSURE SWITCH HOSE GROUP



853730726000_5

WHR22825

Lista

Ricambi

| Rif. | Cod.Ricam | Dal S/N | Al S/N | Sostituto | Descrizione | Notizia | Codice |
|------|-----------------------------|---------|--------|------------------------------------|---------------------|---------|--------|
| 001 | 480111101023 (C00425845) | | | | mobile | | |
| 002 | 480111101041 (C00425854) | | | | piano lavoro | | |
| 003 | 482000005853 (C00466467) | | | | frontalino | | |
| 004 | 480111102825 (C00427020) | | | 1 x 482000094811 (C00505645) | zoccolo complete | | |
| 005 | 481202308004 (C00318055) | | | | piedino | | |
| 006 | 480111101043 (C00339291) | | | | cornice porta outer | | |
| 007 | 481202308134 (C00454880) | | | | vetro oblo | | |
| 008 | 480111101044 (C00339295) | | | | cornice porta inner | | |
| 009 | 480111101025 (C00343394) | | | 1 x 482000094813 (C00505647) | anello di tenuta | | |
| 010 | 480111101045 (C00338989) | | | | serratura metalflex | | |
| 012 | 482000005854 (C00466468) | | | | cerniera | | |
| 014 | 480111101335 (C00426052) | | | | maniglia porta | | |
| 015 | 481202308013 (C00326634) | | | | molla | | |
| 016 | 481202308014 (C00326635) | | | | perno | | |
| 017 | 480111102063 (C00426447) | | | | aggancio | | |
| 020 | 481202308018 (C00319944) | | | 1 x 481010439191 (C00324319) | tubo carico | | |

| | | | |
|-----|-----------------------------|------------------------------------|-------------------------------|
| 022 | 480111101047 (C00337705) | | zoccolo |
| 023 | 480111101048 (C00342376) | 1 x 482000094817 (C00505678) | cover plinth |
| 024 | 480111101049 (C00425856) | | supporto |
| 026 | 480111101051 (C00336108) | | molla |
| 027 | 480111101052 (C00341461) | | perno |
| 028 | 481202308021 (C00326640) | | vite st 3,5*16 |
| 030 | 482000009782 (C00467098) | | vite |
| 050 | 480111101892 (C00426321) | 1 x 482000094819 (C00505680) | porta compl. |
| 100 | 482000005855 (C00466469) | 1 x 482000094820 (C00505681) | cinghia |
| 101 | 482000005856 (C00466470) | 1 x 482000015838 (C00314512) | puleggia |
| 102 | 480111103527 (C00427466) | 1 x 482000008794 (C00467009) | motore |
| 103 | 482000005857 (C00378990) | | semivasca |
| 104 | 481202308028 (C00326645) | 1 x 482000019803 (C00469085) | ammortizzatore |
| 105 | 481202308029 (C00326646) | | perno fissagg. ammortizzatore |
| 112 | 482000005858 (C00466471) | 1 x 482000094826 (C00505687) | contrappeso |
| 113 | 481202308032 (C00326648) | | guarnizione |
| 115 | 482000005859 (C00466472) | 1 x 482000009783 (C00345123) | fascetta |
| 117 | 482000005860 (C00466473) | | semivasca |
| 118 | 481202308153 (C00314811) | 1 x 482000094830 (C00505691) | guarniz.porta |

WHR22825

Lista

Ricambi

| Rif. | Cod.Ricam | Dal S/N | Al S/N | Sostituto | Descrizione | Notizia | Codice |
|------|-----------------------------|---------|--------|------------------------------------|-------------------------|---------|--------|
| 119 | 480111101026 (C00345144) | | | 1 x 482000094831 (C00505727) | staffa | | |
| 120 | 481202308137 (C00326709) | | | | contrappeso | | |
| 122 | 480111101027 (C00336685) | | | | vite | | |
| 124 | 481202308041 (C00326653) | | | 1 x 482000015843 (C00316905) | vite m8*25 | | |
| 126 | 482000006037 (C00466537) | | | | vite m 6x22 | | |
| 126 | 482000005862 (C00345176) | | | | vite 6 x 30 | | |
| 132 | 482000005863 (C00466475) | | | | cavo | | |
| 160 | 482000005864 (C00466476) | | | 1 x 482000010462 (C00319210) | cestello | | |
| 200 | 480111101053 (C00425857) | | | | cassetto | | |
| 201 | 482000009784 (C00467099) | | | 1 x 482000094840 (C00505736) | separatore | | |
| 202 | 480111101054 (C00425858) | | | 1 x 482000094841 (C00505737) | coperchio siphon | | |
| 203 | 480111101055 (C00425859) | | | 1 x 482000094842 (C00505772) | coperchio | | |
| 205 | 480111101057 (C00425861) | | | | distributore housing | | |
| 206 | 481202308052 (C00317529) | | | | soffietto | | |
| 207 | 481202308139 (C00326711) | | | | tubo carico valve / box | | |
| 208 | 481202308053 (C00326659) | | | | tubo | | |

| | | | |
|-----|-----------------------------|------------------------------------|-----------------------|
| 209 | 481202308055 (C00326661) | 1 x 482000094847 (C00505777) | elettrovalvola |
| 210 | 482000006001 (C00466512) | | sfera |
| 211 | 481202308056 (C00326662) | | tubo |
| 212 | 481202308057 (C00326663) | | trappola aria |
| 213 | 481202308058 (C00318077) | 1 x 482000019771 (C00335133) | drainhose |
| 215 | 482000005865 (C00466477) | 1 x 482000094848 (C00505778) | condensat.ant. |
| 219 | 481202308061 (C00326665) | 1 x 482000094849 (C00505779) | tubo scarico |
| 220 | 481202308062 (C00326666) | 1 x 482000094850 (C00505780) | hose |
| 221 | 481202308063 (C00326667) | 1 x 482000097690 (C00517353) | sospension |
| 222 | 481202308064 (C00326668) | 1 x 482000094852 (C00505782) | holder pressostat |
| 225 | 481202308065 (C00318079) | | pressostato |
| 228 | 481202308066 (C00326669) | | staffa |
| 234 | 481202308068 (C00326671) | | staffa |
| 235 | 481202308069 (C00326672) | | supporto |
| 238 | 481202308073 (C00326675) | | coperchio |
| 239 | 481202308122 (C00342894) | 1 x 482000094858 (C00505788) | cavo alimentaz. |
| 244 | 481202308079 (C00326681) | 1 x 481202308066 (C00326669) | staffa |
| 250 | 481202308082 (C00326683) | 1 x 482000094860 (C00505790) | cable clamp |
| 270 | 480111101058 (C00425862) | 1 x 482000094865 (C00505795) | distributore complete |

WHR22825

Lista

Ricambi

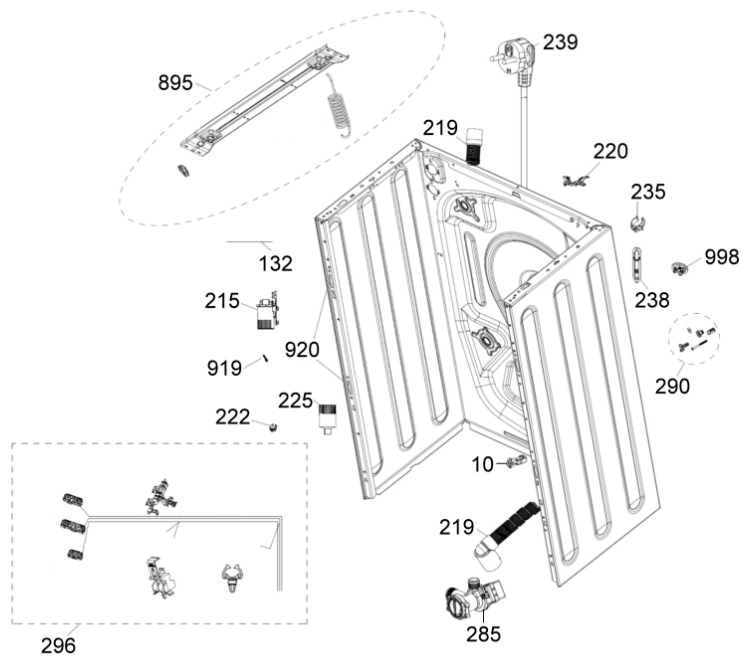
| Rif. | Cod.Ricam | Dal S/N | Al S/N | Sostituto | Descrizione | Notizia | Codice |
|------|-----------------------------|---------|--------|------------------------------------|---------------------------------------|---------|--------|
| 285 | 48200005868 (C00466479) | | | 1 x 480111101853 (C00312887) | pompa scarico | | |
| 290 | 481202308085 (C00326684) | | | | leva,sicurezza | | |
| 290 | 480111101365 (C00336552) | | | 1 x 482000094869 (C00505799) | vite | | |
| 296 | 48200005869 (C00466480) | | | | cavo | | |
| 400 | 48200005870 (C00466481) | | | | coperchio | | |
| 401 | 48200005871 (C00466482) | | | | mascherina | | |
| 402 | 480111101062 (C00425865) | | | | manopola | | |
| 405 | 480111101064 (C00425867) | | | | guida luce | | |
| 406 | 480111101065 (C00425868) | | | | guida luce | | |
| 407 | 481202308092 (C00317348) | | | | vite pt 3,5*9 | | |
| 410 | 481202308094 (C00326690) | | | 1 x 481250218457 (C00332068) | vite pt 4*14 | | |
| 412 | 48200005872 (C00466483) | | | | modulo comando b1-30- 22492ff00400 | | |
| 415 | 480111101067 (C00425870) | | | | tasto | | |
| 469 | 480111101063 (C00425866) | | | | adattatore | | |
| 485 | 480111101068 (C00425871) | | | | perno | | |
| 700 | 481202308107 (C00326699) | | | | supporto | | |

| | | | |
|-----|-----------------------------|------------------------------------|----------------------|
| 800 | 482000005873 (C00466484) | | molla vasca lavaggio |
| 806 | 481202308111 (C00326702) | | rondella 8,4*28*3 |
| 807 | 481202308109 (C00326701) | | vite pt 8*40 |
| 808 | 480111101071 (C00425873) | | vite |
| 811 | 481202308113 (C00326704) | | supporto |
| 812 | 481202308114 (C00326705) | 1 x 482000094891 (C00505819) | nut m 8 |
| 813 | 481202308115 (C00312961) | | ferma carico |
| 895 | 482000005874 (C00466485) | | molla |
| 896 | 482000010050 (C00467221) | | vite m 10x30 |
| 897 | 482000010051 (C00467222) | | rondella |
| 899 | 482000005875 (C00466486) | | resistenza |
| 919 | 482000006008 (C00466519) | | fascetta tubo |
| 920 | 482000006009 (C00466520) | | staffa |
| 998 | 481202308072 (C00326674) | | leva,sicurezza |
| 999 | 482000005876 (C00466487) | | sensore |

WHR22826

Tavole

BODY GROUP PARTS



853730726000_6

WHR22826

Lista

Ricambi

| Rif. | Cod.Ricam | Dal S/N | Al S/N | Sostituto | Descrizione | Notizia | Codice |
|------|-----------------------------|---------|--------|------------------------------------|---------------------|---------|--------|
| 001 | 480111101023 (C00425845) | | | | mobile | | |
| 002 | 480111101041 (C00425854) | | | | piano lavoro | | |
| 003 | 482000005853 (C00466467) | | | | frontalino | | |
| 004 | 480111102825 (C00427020) | | | 1 x 482000094811 (C00505645) | zoccolo complete | | |
| 005 | 481202308004 (C00318055) | | | | piedino | | |
| 006 | 480111101043 (C00339291) | | | | cornice porta outer | | |
| 007 | 481202308134 (C00454880) | | | | vetro oblo | | |
| 008 | 480111101044 (C00339295) | | | | cornice porta inner | | |
| 009 | 480111101025 (C00343394) | | | 1 x 482000094813 (C00505647) | anello di tenuta | | |
| 010 | 480111101045 (C00338989) | | | | serratura metalflex | | |
| 012 | 482000005854 (C00466468) | | | | cerniera | | |
| 014 | 480111101335 (C00426052) | | | | maniglia porta | | |
| 015 | 481202308013 (C00326634) | | | | molla | | |
| 016 | 481202308014 (C00326635) | | | | perno | | |
| 017 | 480111102063 (C00426447) | | | | aggancio | | |
| 020 | 481202308018 (C00319944) | | | 1 x 481010439191 (C00324319) | tubo carico | | |

| | | | |
|-----|-----------------------------|------------------------------------|-------------------------------|
| 022 | 480111101047 (C00337705) | | zoccolo |
| 023 | 480111101048 (C00342376) | 1 x 482000094817 (C00505678) | cover plinth |
| 024 | 480111101049 (C00425856) | | supporto |
| 026 | 480111101051 (C00336108) | | molla |
| 027 | 480111101052 (C00341461) | | perno |
| 028 | 481202308021 (C00326640) | | vite st 3,5*16 |
| 030 | 482000009782 (C00467098) | | vite |
| 050 | 480111101892 (C00426321) | 1 x 482000094819 (C00505680) | porta compl. |
| 100 | 482000005855 (C00466469) | 1 x 482000094820 (C00505681) | cinghia |
| 101 | 482000005856 (C00466470) | 1 x 482000015838 (C00314512) | puleggia |
| 102 | 480111103527 (C00427466) | 1 x 482000008794 (C00467009) | motore |
| 103 | 482000005857 (C00378990) | | semivasca |
| 104 | 481202308028 (C00326645) | 1 x 482000019803 (C00469085) | ammortizzatore |
| 105 | 481202308029 (C00326646) | | perno fissagg. ammortizzatore |
| 112 | 482000005858 (C00466471) | 1 x 482000094826 (C00505687) | contrappeso |
| 113 | 481202308032 (C00326648) | | guarnizione |
| 115 | 482000005859 (C00466472) | 1 x 482000009783 (C00345123) | fascetta |
| 117 | 482000005860 (C00466473) | | semivasca |
| 118 | 481202308153 (C00314811) | 1 x 482000094830 (C00505691) | guarniz.porta |

WHR22826

Lista

Ricambi

| Rif. | Cod.Ricam | Dal S/N | Al S/N | Sostituto | Descrizione | Notizia | Codice |
|------|-----------------------------|---------|--------|------------------------------------|-------------------------|---------|--------|
| 119 | 480111101026 (C00345144) | | | 1 x 482000094831 (C00505727) | staffa | | |
| 120 | 481202308137 (C00326709) | | | | contrappeso | | |
| 122 | 480111101027 (C00336685) | | | | vite | | |
| 124 | 481202308041 (C00326653) | | | 1 x 482000015843 (C00316905) | vite m8*25 | | |
| 126 | 482000006037 (C00466537) | | | | vite m 6x22 | | |
| 126 | 482000005862 (C00345176) | | | | vite 6 x 30 | | |
| 132 | 482000005863 (C00466475) | | | | cavo | | |
| 160 | 482000005864 (C00466476) | | | 1 x 482000010462 (C00319210) | cestello | | |
| 200 | 480111101053 (C00425857) | | | | cassetto | | |
| 201 | 482000009784 (C00467099) | | | 1 x 482000094840 (C00505736) | separatore | | |
| 202 | 480111101054 (C00425858) | | | 1 x 482000094841 (C00505737) | coperchio siphon | | |
| 203 | 480111101055 (C00425859) | | | 1 x 482000094842 (C00505772) | coperchio | | |
| 205 | 480111101057 (C00425861) | | | | distributore housing | | |
| 206 | 481202308052 (C00317529) | | | | soffietto | | |
| 207 | 481202308139 (C00326711) | | | | tubo carico valve / box | | |
| 208 | 481202308053 (C00326659) | | | | tubo | | |

| | | | |
|-----|-----------------------------|------------------------------------|-----------------------|
| 209 | 481202308055 (C00326661) | 1 x 482000094847 (C00505777) | elettrovalvola |
| 210 | 482000006001 (C00466512) | | sfera |
| 211 | 481202308056 (C00326662) | | tubo |
| 212 | 481202308057 (C00326663) | | trappola aria |
| 213 | 481202308058 (C00318077) | 1 x 482000019771 (C00335133) | drainhose |
| 215 | 482000005865 (C00466477) | 1 x 482000094848 (C00505778) | condensat.ant. |
| 219 | 481202308061 (C00326665) | 1 x 482000094849 (C00505779) | tubo scarico |
| 220 | 481202308062 (C00326666) | 1 x 482000094850 (C00505780) | hose |
| 221 | 481202308063 (C00326667) | 1 x 482000097690 (C00517353) | sospension |
| 222 | 481202308064 (C00326668) | 1 x 482000094852 (C00505782) | holder pressostat |
| 225 | 481202308065 (C00318079) | | pressostato |
| 228 | 481202308066 (C00326669) | | staffa |
| 234 | 481202308068 (C00326671) | | staffa |
| 235 | 481202308069 (C00326672) | | supporto |
| 238 | 481202308073 (C00326675) | | coperchio |
| 239 | 481202308122 (C00342894) | 1 x 482000094858 (C00505788) | cavo alimentaz. |
| 244 | 481202308079 (C00326681) | 1 x 481202308066 (C00326669) | staffa |
| 250 | 481202308082 (C00326683) | 1 x 482000094860 (C00505790) | cable clamp |
| 270 | 480111101058 (C00425862) | 1 x 482000094865 (C00505795) | distributore complete |

WHR22826

Lista

Ricambi

| Rif. | Cod.Ricam | Dal S/N | Al S/N | Sostituto | Descrizione | Notizia | Codice |
|------|-----------------------------|---------|--------|------------------------------------|---------------------------------------|---------|--------|
| 285 | 48200005868 (C00466479) | | | 1 x 480111101853 (C00312887) | pompa scarico | | |
| 290 | 481202308085 (C00326684) | | | | leva,sicurezza | | |
| 290 | 480111101365 (C00336552) | | | 1 x 482000094869 (C00505799) | vite | | |
| 296 | 48200005869 (C00466480) | | | | cavo | | |
| 400 | 48200005870 (C00466481) | | | | coperchio | | |
| 401 | 48200005871 (C00466482) | | | | mascherina | | |
| 402 | 480111101062 (C00425865) | | | | manopola | | |
| 405 | 480111101064 (C00425867) | | | | guida luce | | |
| 406 | 480111101065 (C00425868) | | | | guida luce | | |
| 407 | 481202308092 (C00317348) | | | | vite pt 3,5*9 | | |
| 410 | 481202308094 (C00326690) | | | 1 x 481250218457 (C00332068) | vite pt 4*14 | | |
| 412 | 48200005872 (C00466483) | | | | modulo comando b1-30- 22492ff00400 | | |
| 415 | 480111101067 (C00425870) | | | | tasto | | |
| 469 | 480111101063 (C00425866) | | | | adattatore | | |
| 485 | 480111101068 (C00425871) | | | | perno | | |
| 700 | 481202308107 (C00326699) | | | | supporto | | |

| | | | |
|-----|-----------------------------|------------------------------------|------------------------|
| 800 | 482000005873 (C00466484) | | molla vasca lavaggio |
| 806 | 481202308111 (C00326702) | | rondella 8,4*28*3 |
| 807 | 481202308109 (C00326701) | | vite pt 8*40 |
| 808 | 480111101071 (C00425873) | | vite |
| 811 | 481202308113 (C00326704) | | supporto |
| 812 | 481202308114 (C00326705) | 1 x 482000094891 (C00505819) | nut m 8 |
| 813 | 481202308115 (C00312961) | | ferma carico |
| 895 | 482000005874 (C00466485) | | molla |
| 896 | 482000010050 (C00467221) | | vite m 10x30 |
| 897 | 482000010051 (C00467222) | | rondella |
| 899 | 482000005875 (C00466486) | | resistenza |
| 919 | 482000006008 (C00466519) | | fascetta tubo |
| 920 | 482000006009 (C00466520) | | staffa |
| 998 | 481202308072 (C00326674) | | leva,sicurezza |
| 999 | 482000005876 (C00466487) | | sensore |
| 999 | C00540400 | | istruzione tecnica whp |
| 999 | C00562575 | | caratt. tecniche whp |
| 999 | C00562563 | | schema funzionale whp |
| 999 | C00540403 | | testprogram whp |

WHR22826
Ricambi

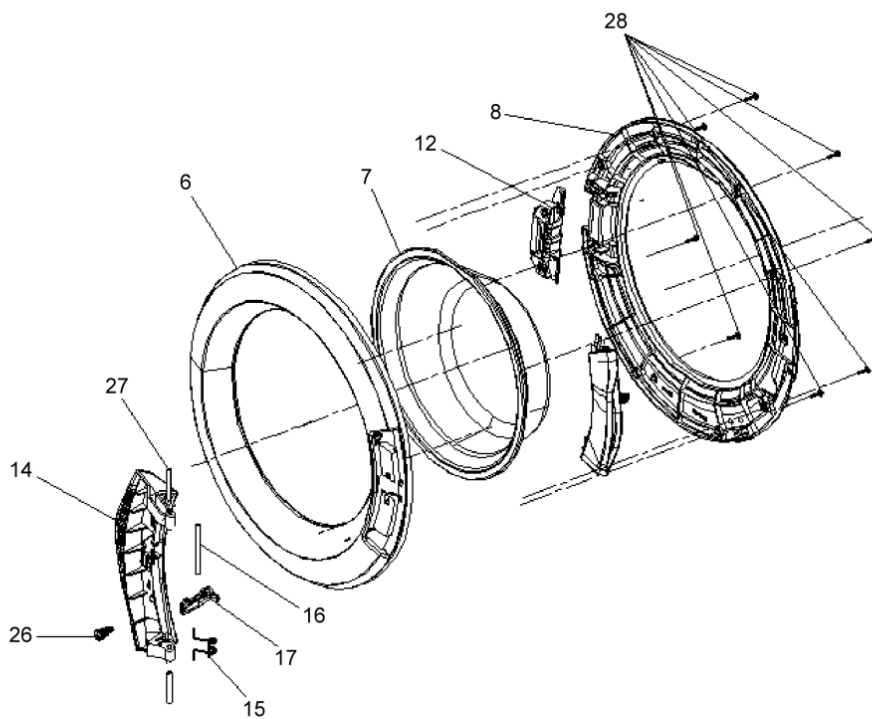
Lista

| Rif. | Cod.Ricam | Dal S/N | Al S/N | Sostituto | Descrizione | Notizia | Codice |
|------|-----------|---------|--------|-----------|-------------------------|---------|--------|
| 999 | C00540404 | | | | tabella elettronica whp | | |

WHR22827

Tavole

DOOR GROUP



853730726000_7

WHR22827

Lista

Ricambi

| Rif. | Cod.Ricam | Dal S/N | Al S/N | Sostituto | Descrizione | Notizia | Codice |
|------|-----------------------------|---------|--------|------------------------------------|---------------------|---------|--------|
| 001 | 480111101023 (C00425845) | | | | mobile | | |
| 002 | 480111101041 (C00425854) | | | | piano lavoro | | |
| 003 | 482000005853 (C00466467) | | | | frontalino | | |
| 004 | 480111102825 (C00427020) | | | 1 x 482000094811 (C00505645) | zoccolo complete | | |
| 005 | 481202308004 (C00318055) | | | | piedino | | |
| 006 | 480111101043 (C00339291) | | | | cornice porta outer | | |
| 007 | 481202308134 (C00454880) | | | | vetro oblo | | |
| 008 | 480111101044 (C00339295) | | | | cornice porta inner | | |
| 009 | 480111101025 (C00343394) | | | 1 x 482000094813 (C00505647) | anello di tenuta | | |
| 010 | 480111101045 (C00338989) | | | | serratura metalflex | | |
| 012 | 482000005854 (C00466468) | | | | cerniera | | |
| 014 | 480111101335 (C00426052) | | | | maniglia porta | | |
| 015 | 481202308013 (C00326634) | | | | molla | | |
| 016 | 481202308014 (C00326635) | | | | perno | | |
| 017 | 480111102063 (C00426447) | | | | aggancio | | |
| 020 | 481202308018 (C00319944) | | | 1 x 481010439191 (C00324319) | tubo carico | | |

| | | | |
|-----|-----------------------------|------------------------------------|-------------------------------|
| 022 | 480111101047 (C00337705) | | zoccolo |
| 023 | 480111101048 (C00342376) | 1 x 482000094817 (C00505678) | cover plinth |
| 024 | 480111101049 (C00425856) | | supporto |
| 026 | 480111101051 (C00336108) | | molla |
| 027 | 480111101052 (C00341461) | | perno |
| 028 | 481202308021 (C00326640) | | vite st 3,5*16 |
| 030 | 482000009782 (C00467098) | | vite |
| 050 | 480111101892 (C00426321) | 1 x 482000094819 (C00505680) | porta compl. |
| 100 | 482000005855 (C00466469) | 1 x 482000094820 (C00505681) | cinghia |
| 101 | 482000005856 (C00466470) | 1 x 482000015838 (C00314512) | puleggia |
| 102 | 480111103527 (C00427466) | 1 x 482000008794 (C00467009) | motore |
| 103 | 482000005857 (C00378990) | | semivasca |
| 104 | 481202308028 (C00326645) | 1 x 482000019803 (C00469085) | ammortizzatore |
| 105 | 481202308029 (C00326646) | | perno fissagg. ammortizzatore |
| 112 | 482000005858 (C00466471) | 1 x 482000094826 (C00505687) | contrappeso |
| 113 | 481202308032 (C00326648) | | guarnizione |
| 115 | 482000005859 (C00466472) | 1 x 482000009783 (C00345123) | fascetta |
| 117 | 482000005860 (C00466473) | | semivasca |
| 118 | 481202308153 (C00314811) | 1 x 482000094830 (C00505691) | guarniz.porta |

WHR22827

Lista

Ricambi

| Rif. | Cod.Ricam | Dal S/N | Al S/N | Sostituto | Descrizione | Notizia | Codice |
|------|-----------------------------|---------|--------|------------------------------------|-------------------------|---------|--------|
| 119 | 480111101026 (C00345144) | | | 1 x 482000094831 (C00505727) | staffa | | |
| 120 | 481202308137 (C00326709) | | | | contrappeso | | |
| 122 | 480111101027 (C00336685) | | | | vite | | |
| 124 | 481202308041 (C00326653) | | | 1 x 482000015843 (C00316905) | vite m8*25 | | |
| 126 | 482000006037 (C00466537) | | | | vite m 6x22 | | |
| 126 | 482000005862 (C00345176) | | | | vite 6 x 30 | | |
| 132 | 482000005863 (C00466475) | | | | cavo | | |
| 160 | 482000005864 (C00466476) | | | 1 x 482000010462 (C00319210) | cestello | | |
| 200 | 480111101053 (C00425857) | | | | cassetto | | |
| 201 | 482000009784 (C00467099) | | | 1 x 482000094840 (C00505736) | separatore | | |
| 202 | 480111101054 (C00425858) | | | 1 x 482000094841 (C00505737) | coperchio siphon | | |
| 203 | 480111101055 (C00425859) | | | 1 x 482000094842 (C00505772) | coperchio | | |
| 205 | 480111101057 (C00425861) | | | | distributore housing | | |
| 206 | 481202308052 (C00317529) | | | | soffietto | | |
| 207 | 481202308139 (C00326711) | | | | tubo carico valve / box | | |
| 208 | 481202308053 (C00326659) | | | | tubo | | |

| | | | |
|-----|-----------------------------|------------------------------------|-----------------------|
| 209 | 481202308055 (C00326661) | 1 x 482000094847 (C00505777) | elettrovalvola |
| 210 | 482000006001 (C00466512) | | sfera |
| 211 | 481202308056 (C00326662) | | tubo |
| 212 | 481202308057 (C00326663) | | trappola aria |
| 213 | 481202308058 (C00318077) | 1 x 482000019771 (C00335133) | drainhose |
| 215 | 482000005865 (C00466477) | 1 x 482000094848 (C00505778) | condensat.ant. |
| 219 | 481202308061 (C00326665) | 1 x 482000094849 (C00505779) | tubo scarico |
| 220 | 481202308062 (C00326666) | 1 x 482000094850 (C00505780) | hose |
| 221 | 481202308063 (C00326667) | 1 x 482000097690 (C00517353) | sospension |
| 222 | 481202308064 (C00326668) | 1 x 482000094852 (C00505782) | holder pressostat |
| 225 | 481202308065 (C00318079) | | pressostato |
| 228 | 481202308066 (C00326669) | | staffa |
| 234 | 481202308068 (C00326671) | | staffa |
| 235 | 481202308069 (C00326672) | | supporto |
| 238 | 481202308073 (C00326675) | | coperchio |
| 239 | 481202308122 (C00342894) | 1 x 482000094858 (C00505788) | cavo alimentaz. |
| 244 | 481202308079 (C00326681) | 1 x 481202308066 (C00326669) | staffa |
| 250 | 481202308082 (C00326683) | 1 x 482000094860 (C00505790) | cable clamp |
| 270 | 480111101058 (C00425862) | 1 x 482000094865 (C00505795) | distributore complete |

WHR22827

Lista

Ricambi

| Rif. | Cod.Ricam | Dal S/N | Al S/N | Sostituto | Descrizione | Notizia | Codice |
|------|-----------------------------|---------|--------|------------------------------------|---------------------------------------|---------|--------|
| 285 | 48200005868 (C00466479) | | | 1 x 480111101853 (C00312887) | pompa scarico | | |
| 290 | 480111101365 (C00336552) | | | 1 x 482000094869 (C00505799) | vite | | |
| 290 | 481202308085 (C00326684) | | | | leva,sicurezza | | |
| 296 | 48200005869 (C00466480) | | | | cavo | | |
| 400 | 48200005870 (C00466481) | | | | coperchio | | |
| 401 | 48200005871 (C00466482) | | | | mascherina | | |
| 402 | 480111101062 (C00425865) | | | | manopola | | |
| 405 | 480111101064 (C00425867) | | | | guida luce | | |
| 406 | 480111101065 (C00425868) | | | | guida luce | | |
| 407 | 481202308092 (C00317348) | | | | vite pt 3,5*9 | | |
| 410 | 481202308094 (C00326690) | | | 1 x 481250218457 (C00332068) | vite pt 4*14 | | |
| 412 | 48200005872 (C00466483) | | | | modulo comando b1-30- 22492ff00400 | | |
| 415 | 480111101067 (C00425870) | | | | tasto | | |
| 469 | 480111101063 (C00425866) | | | | adattatore | | |
| 485 | 480111101068 (C00425871) | | | | perno | | |
| 700 | 481202308107 (C00326699) | | | | supporto | | |

| | | | |
|-----|-----------------------------|------------------------------------|----------------------|
| 800 | 482000005873 (C00466484) | | molla vasca lavaggio |
| 806 | 481202308111 (C00326702) | | rondella 8,4*28*3 |
| 807 | 481202308109 (C00326701) | | vite pt 8*40 |
| 808 | 480111101071 (C00425873) | | vite |
| 811 | 481202308113 (C00326704) | | supporto |
| 812 | 481202308114 (C00326705) | 1 x 482000094891 (C00505819) | nut m 8 |
| 813 | 481202308115 (C00312961) | | ferma carico |
| 895 | 482000005874 (C00466485) | | molla |
| 896 | 482000010050 (C00467221) | | vite m 10x30 |
| 897 | 482000010051 (C00467222) | | rondella |
| 899 | 482000005875 (C00466486) | | resistenza |
| 919 | 482000006008 (C00466519) | | fascetta tubo |
| 920 | 482000006009 (C00466520) | | staffa |
| 998 | 481202308072 (C00326674) | | leva,sicurezza |
| 999 | 482000005876 (C00466487) | | sensore |