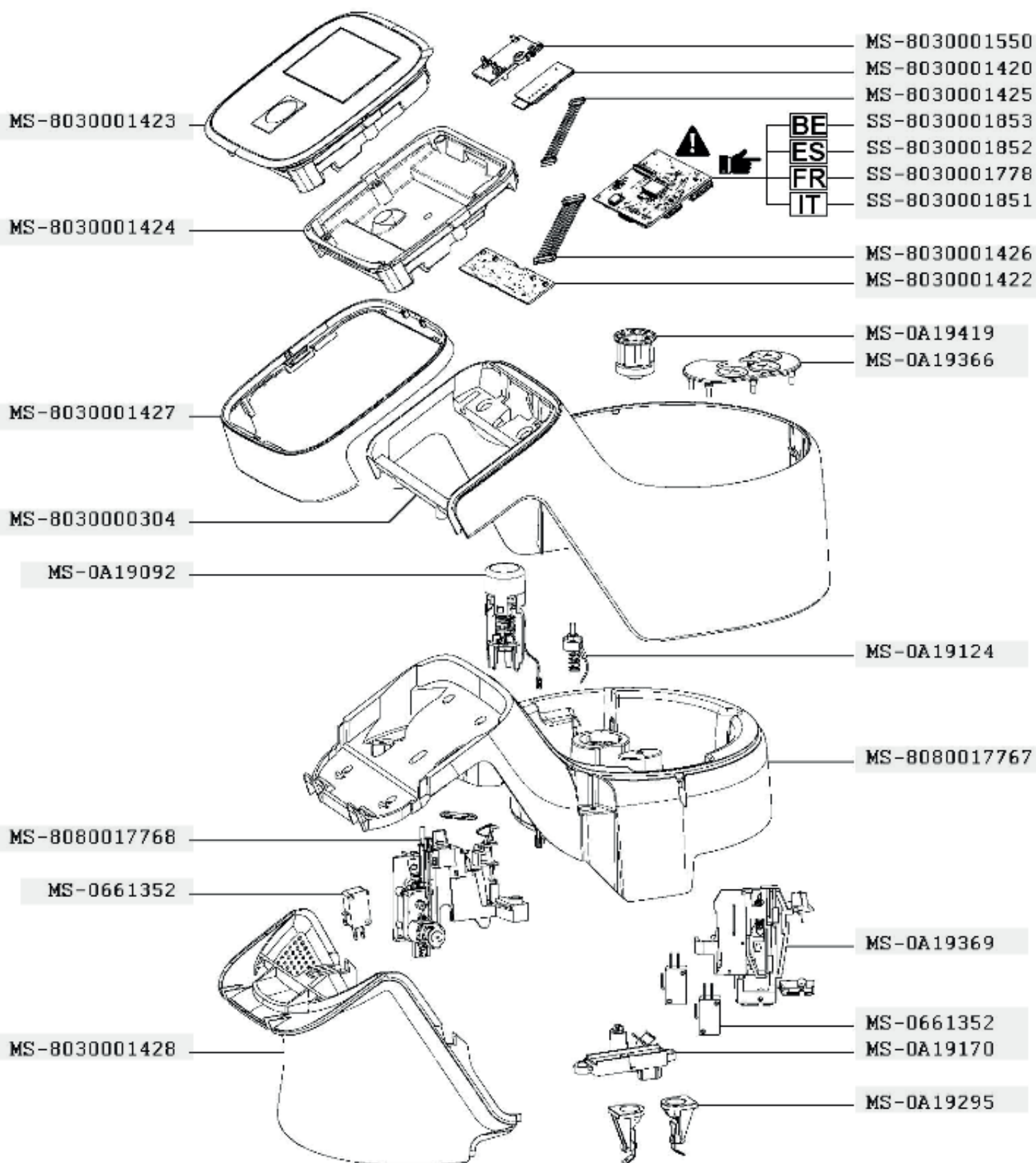


Moulinex

# HF935E10/702

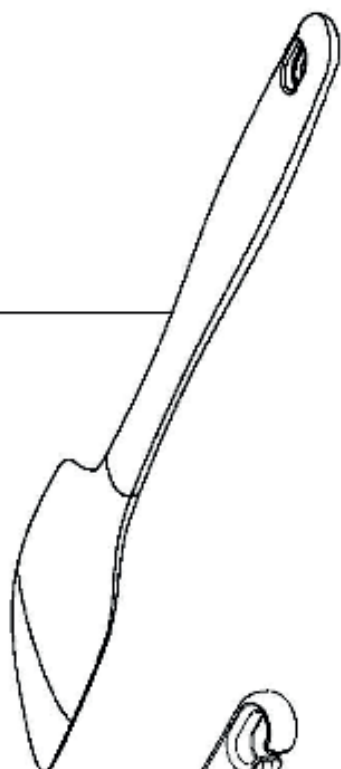
1550W



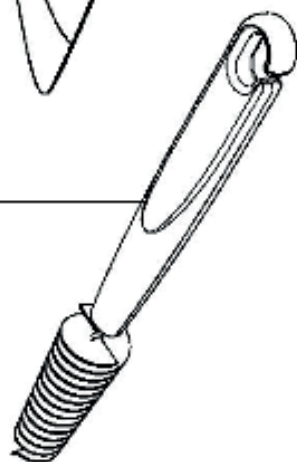
Moulinex

**HF935E10/702**  
1550W

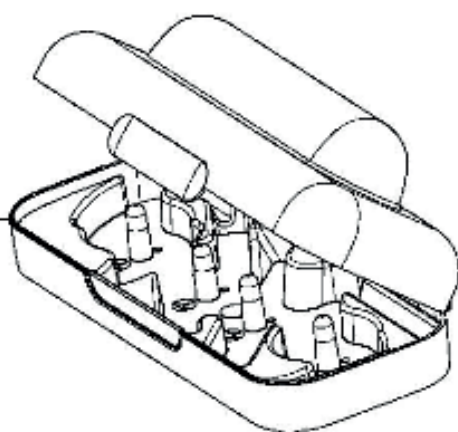
MS-0A19150



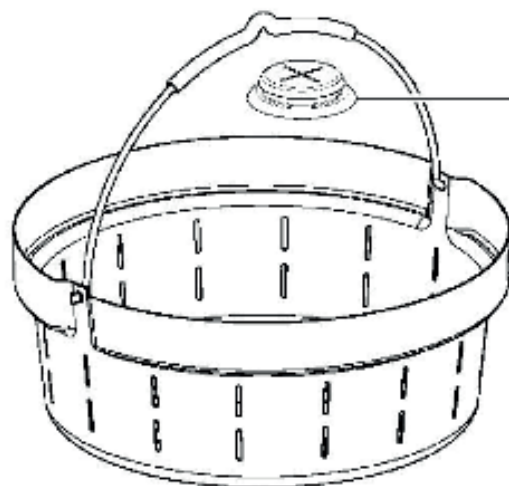
MS-0A19230



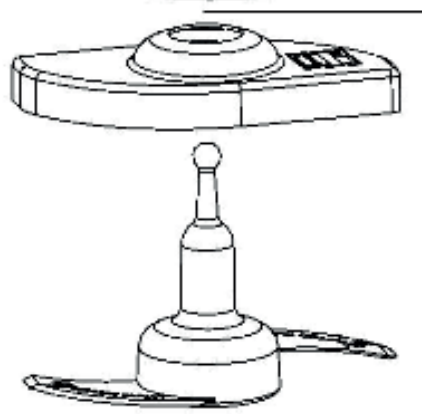
MS-0A19398



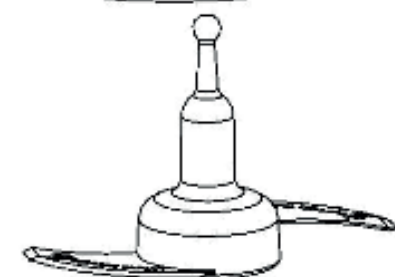
MS-0A19037



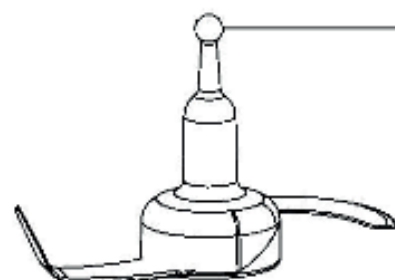
MS-0A19203



MS-0A19243



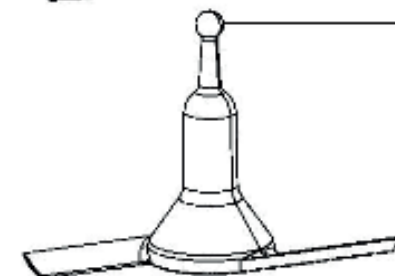
MS-0A19244



MS-0A19245



MS-0A19246

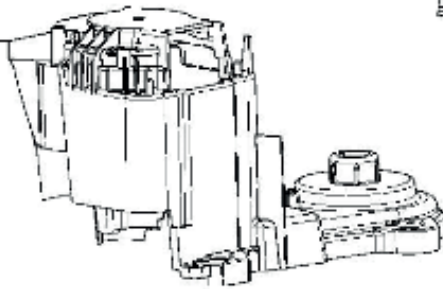


Moulinex

# HF935E10/702

1550W

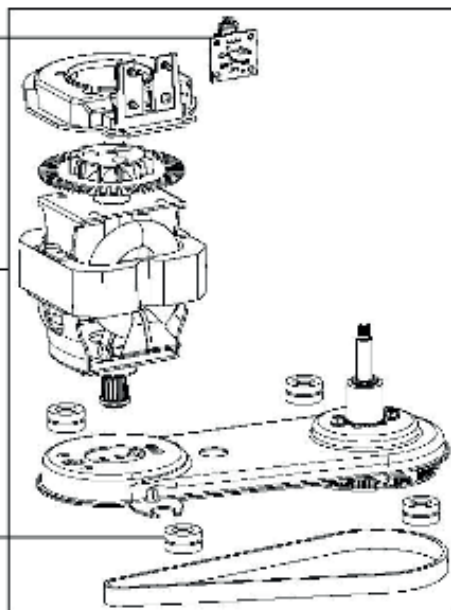
MS-8030001429



MS-0A19122



MS-5949035



MS-8080017762

MS-0698252

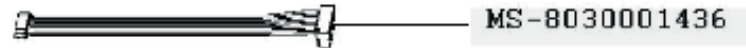


MS-8030001434

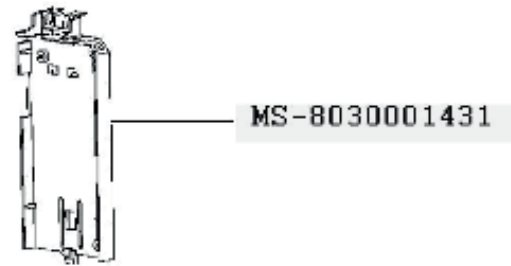
MS-8030001437



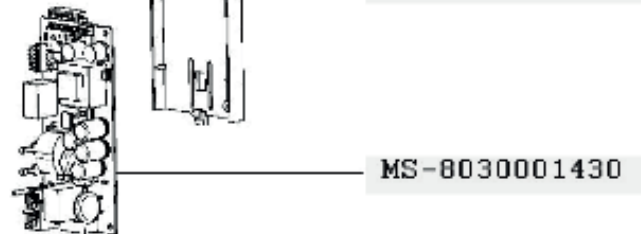
MS-8030001435



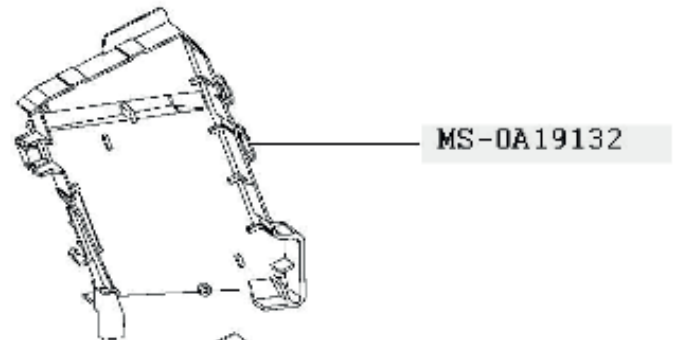
MS-8030001436



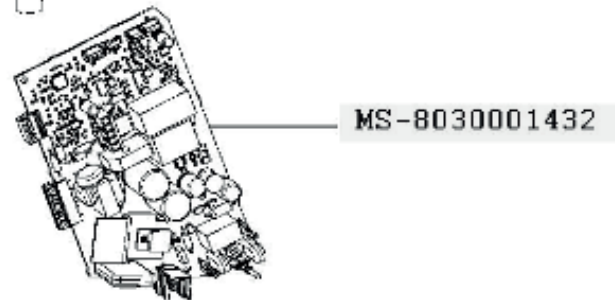
MS-8030001431



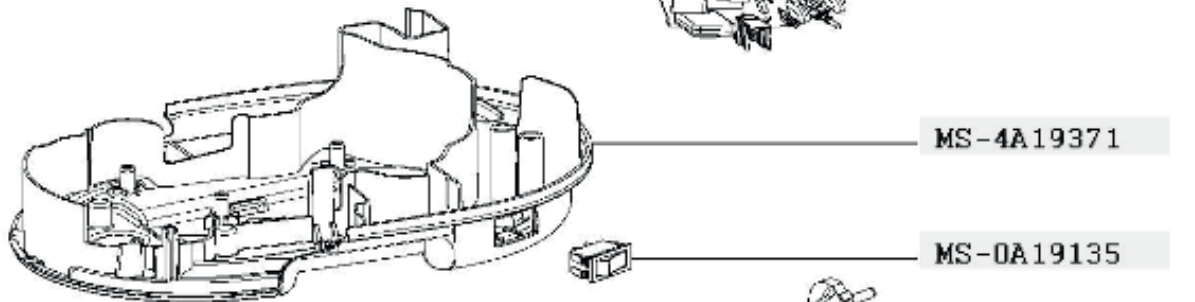
MS-8030001430



MS-0A19132



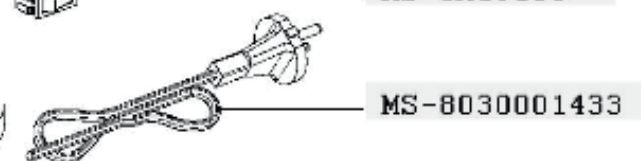
MS-8030001432



MS-4A19371

MS-0A19135

MS-0A08112



MS-8030001433

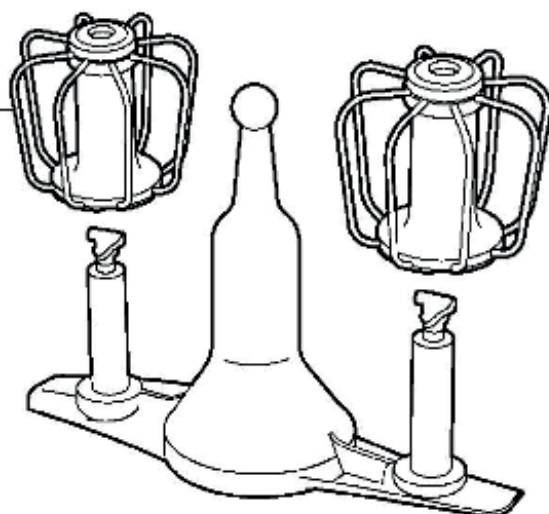
Moulinex

HF935E10/702  
1550W

# OPTION

XF38J010

MS-8030000889



MS-0A19336



MS-0A19337



MS-0A19338



MS-0A19339

Moulinex

HF935E10/702  
1550W

# OPTION

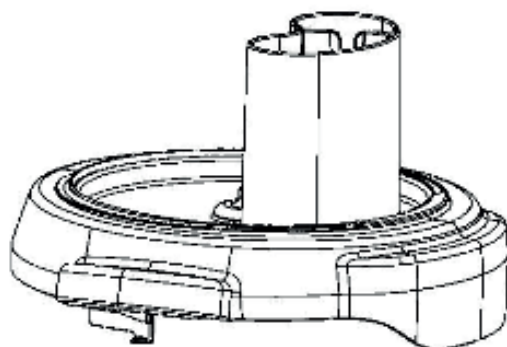
## XF383110

MS-0A19351

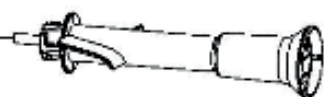


MS-0A19350

MS-0A19114



MS-0A21440



MS-0A21443



MS-0A21447



MS-0A21446



MS-0A21445

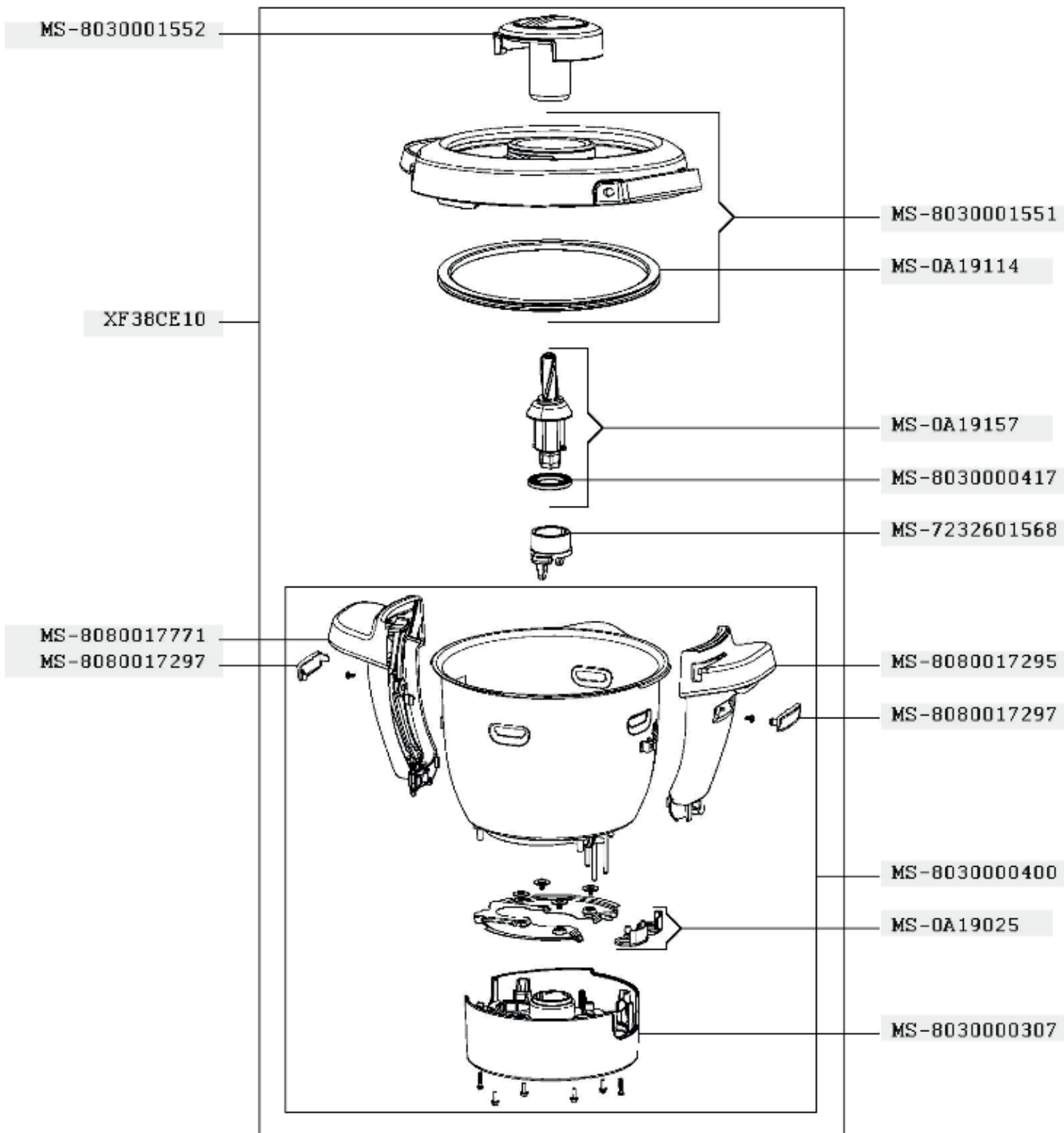




Moulinex

# HF935E10/702

1550W

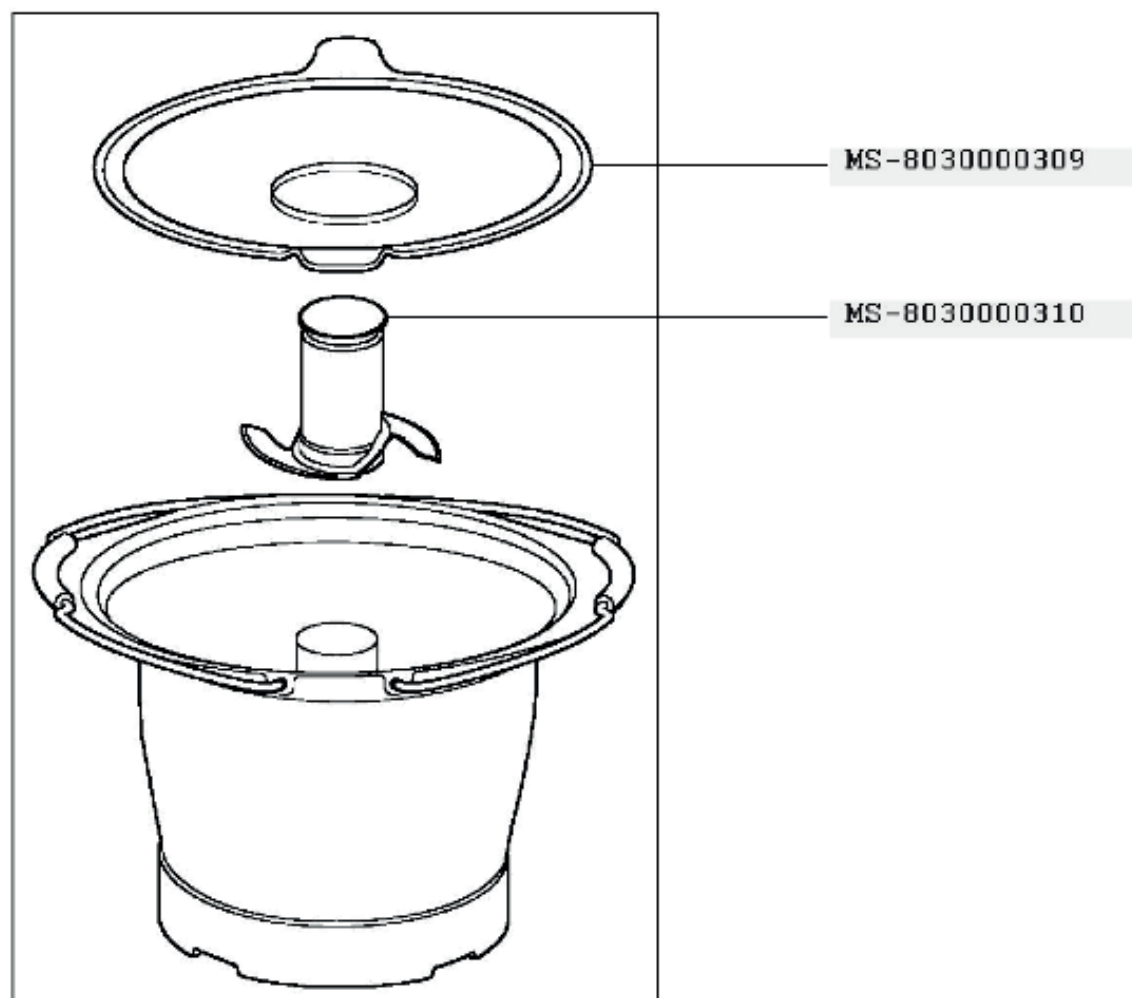


*Moulinex*

**HF935E10/702**  
1550W

# OPTION

**XF38AE10**

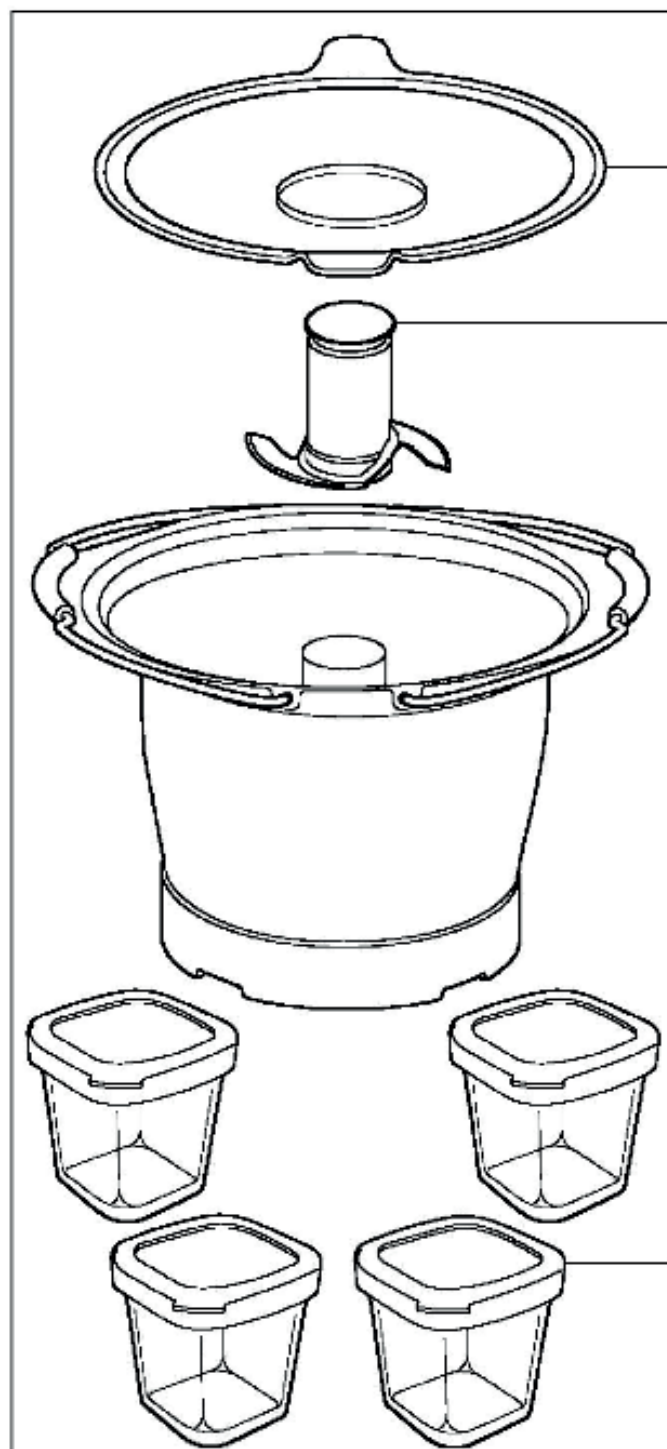


Moulinex

HF935E10/702  
1550W

# OPTION

XF387E10



MS-8030000309

MS-8030000310

SS-193386



HF935E10/702  
1550W

# OPTION

XF389010

MS-8030000889

