

SM3061/10 SM3054/00 SM5460/10
SM3061/10 SM3054/10 SM5478/10
SM5470/10 SM5471/10 SM5473/10 SM5479/10

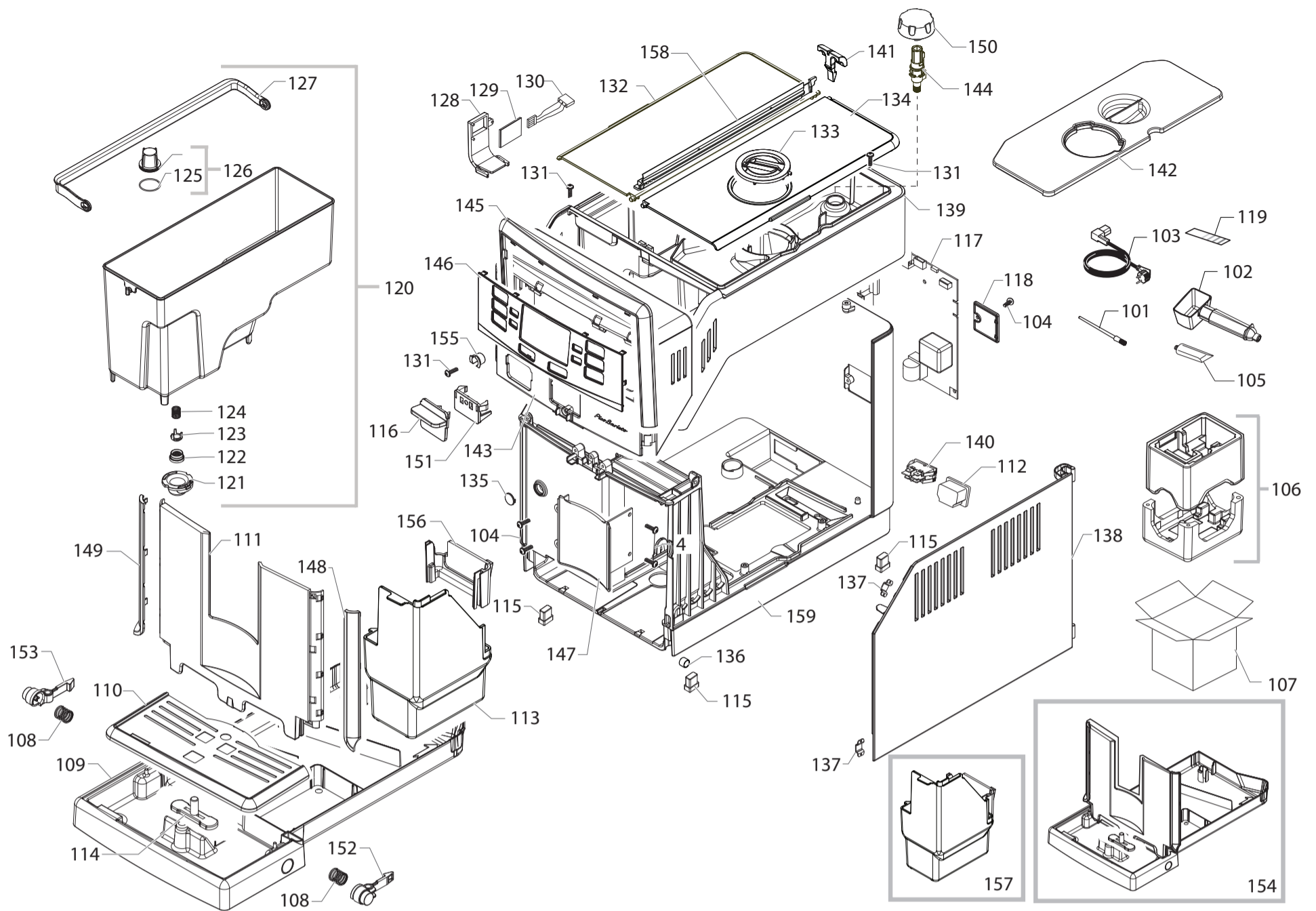


Cod. 882861810010-61810300-62600220-67710010
Cod. 882861810220-62610010-66010010-66010300
Cod. 882867110010- 68610010-67110300-67210010-67310010

POS	CODE	12NC	DESCRIPTION	NOTE	POS	CODE	12NC	DESCRIPTION	NOTE	
101	127390100	996530011867	BRUSH FOR CLEANING		128	17001474	996530073436	BLACK WATER LEVEL SENSOR SUPPORT SMR		
102		421944033301	BLK ABS COFFEE MEASURE SMART		129		421941306721	CPU+SW WATER LEVEL SENSOR V3 ASSY.		
103	183911050	996530025808	BLACK POWER CABLE SCHUKO L=1200		130		421946035161	3P.CONN.WATER LEVEL V2 SMR UL ASSY		
104	129913202	996530013156	SCREW TCB TORX 10 3X8 PLAST.ZN-B		131	12001728	996530070321	SCREW TCB TORX 10 3,5X12 PLAST.SS		
		12001860	996530072411	SCREW TSP TORX 10 3,5X14 PLAST.SS	SM5478/10	132		421944069061	M/BLK WATER CONTAINER LID V3 SMRG/P	
105		421946017941	KLUBERLUB NH1 11-222 TUBE 5GR.				421944080891	WHIS WATER CONT.LID SMRE/T	SM5478/10	
106		421941309051	KIT PS-E INSERT FOR BOX SMRC				421944069191	SS WATER CONTAINER LID V3 SMRG ASSY	SM5473	
107		421944055922	DISPL.BOX V2 SMRC/T SAE		133	11031477	996530073487	TRANSP/GREY GROUND COFFEE HOPPER LID NPR		
		421946042801	DISPL.BOX V2 PICOBARISTO SAE	SM5473-79	134		421944069051	M/BLK BEAN COF.CONT.LID V3 SMRG/P		
108	11000759	996530000487	HOT WATER TUBE SPRING P124				421944080881	WHIS BEAN COF.CONT.LID SMRE/T	SM5478/10	
109		421944056171	G/BLK DRIP TRAY SMRG/T ASSY				421944069181	SS COFFEE BEANS CONTAIN.LID V3 SMRG ASSY	SM5473	
		421944080031	WHIS DRIP TRAY SMRG/T ASSY	SM5478/10	135	11031523	996530073462	BLACK INFRAREDS PLATE RYL		
110		421944070441	COATED SS GRATE FOR DRIP TRAY SMRG/T		136	9161.111	996530050555	MAGNET FOR FLOAT SUPERAUT.		
111		421944074151	M/SIL DRIP TRAY INSERT SMRG/P		137	11013220	996530069857	STEEL PLATE FOR DOOR MAGNET XSM		
		421944034801	DEEP/BLK DRIP TRAY INSERT SMRG/P		138	17001065	996530073429	MATT/BLACK RIGHT SIDE DOOR SMR		
		421944080861	WHIS DRIP TRAY INSERT SMRE/T	SM5478/10			421944080081	WHIS RIGHT SIDE DOOR SMR	SM5478/10	
		421944043651	DRIP TRAY INSERT SMRG/H ASSY	SM5473-79	139		421944068911	M/BLK UPP.CASING COV.V2 SMRC/H-T		
112	12000280	996530007788	CUP SOCKET EN 60320 C 13				421944082651	WHIS UPP.CASING COV.V2 SMRC/H-T	SM5478/10	
113		421944067551	BLK DUMP BOX V2 SMRG		140		242212625104	SWI POW 2P 12A 250V FASTON GP12H B		
114		421941304791	RED/3003 FLOAT FOR DRIP TRAY XSM		141		421944086131	BLK REAR LID FIXING INSERT V4 SMRG		
115	17001556	996530073468	TRANSP.SILICONE FOOT SMR				421944080971	WHIS REAR LID FIXING INSERT V3 SMRG	SM5478/10	
116		421944052361	CHRM.COVER FOR CARAFE HOLE SMRG		142		421944070661	TR.INN.BEAN COF.CONT.LID W/SEAL S/SC.SMR		
117		421941308561	CPR SMRC/T ASSY. 230V	SM3061/10	143		421944074191	M/SIL UPP.CAS.COVER INS.S/SCR SMRC/T AS.		
		421941311101	CPR SMRC QVC/T 230V ASSY.				421944084921	M/SIL UPP.CAS.COVER INS.S/SCR SMRC/T	SM5471/10	
		421941311381	CPR SMRC V2/T 230V ASSY.				421944071181	UPP.CAS.COVER INS.S/SCR BK SMRC/T ASSY	SM3054/00	
			SM3054/00 SM3054/10				421944082631	UPP.CAS.COVER INS.S/SCR WHIS SMRC/T ASSY	SM5478/10	
118	17001484	996530068728	MATT/BLK REAR CASING PROGRAM.INSERT NPR				421944084651	UPP.CAS.COVER INS.S/SCR V3 SMRC/T ASSY	SM5473	
		421944080071	WHIS REAR CASING PROGRAM.INSERT NPR	SM5478/10			421944084631	BLK UPP.CAS.COVER INS.S/SCR SMRC/T	SM5460-70	
119	0301.961	996530039604	STICKER FOR WATER HARDNESS TEST		144		421944052341	BLW BEAN COFFEE GRINDER INSERT V2 SMR		
120		421945003751	NAT/GRY WATER CONTAINER V3 SMRG/P-H ASSY		145		421944051631	CHR.UPPER COVER FRAME SMRC		
121	17001366	996530073463	BLACK LID FOR DUCKBILL VALVE SMR		146		421944072901	BLK CONTROL PANEL HG S/SCR.SMRC/T	SM3061/10	
122	11003671	996530001829	TRANSP.VALVE FOR WATER CONTAINER P0049				421944078801	BLK CONTROL PANEL HG V2 S/SCR.SMRC/T		
123		421941157852	GRY WATER CONTAINER VALVE INSERT P0049				421946042231	BLK CONTROL PANEL HG V3 S/SCR.SMRC/T		
124	11003672	996530001831	SS SPRING FOR WATER CONTAIN.VALVE P0049		147		421944074171	M/SIL CASING INSERT SMRG/P		
125	140328461	996530013571	OR ORM 0190-10 EPDM				421944036371	DEEP/BLK CASING INSERT SMRG/P		
126	224640200	996530029115	WHITE WATER CONTAINER EXT.FILTER ASSY.	WITH PART.N°125						
127		421944093611	TRASP. WATER CONTAINER HANDLE SMR V2							



PICOBARISTO OTC PRM



SM3061/10 SM3054/00 SM5460/10
 SM3061/10 SM3054/10 SM5478/10
 SM5470/10 SM5471/10 SM5473/10 SM5479/10



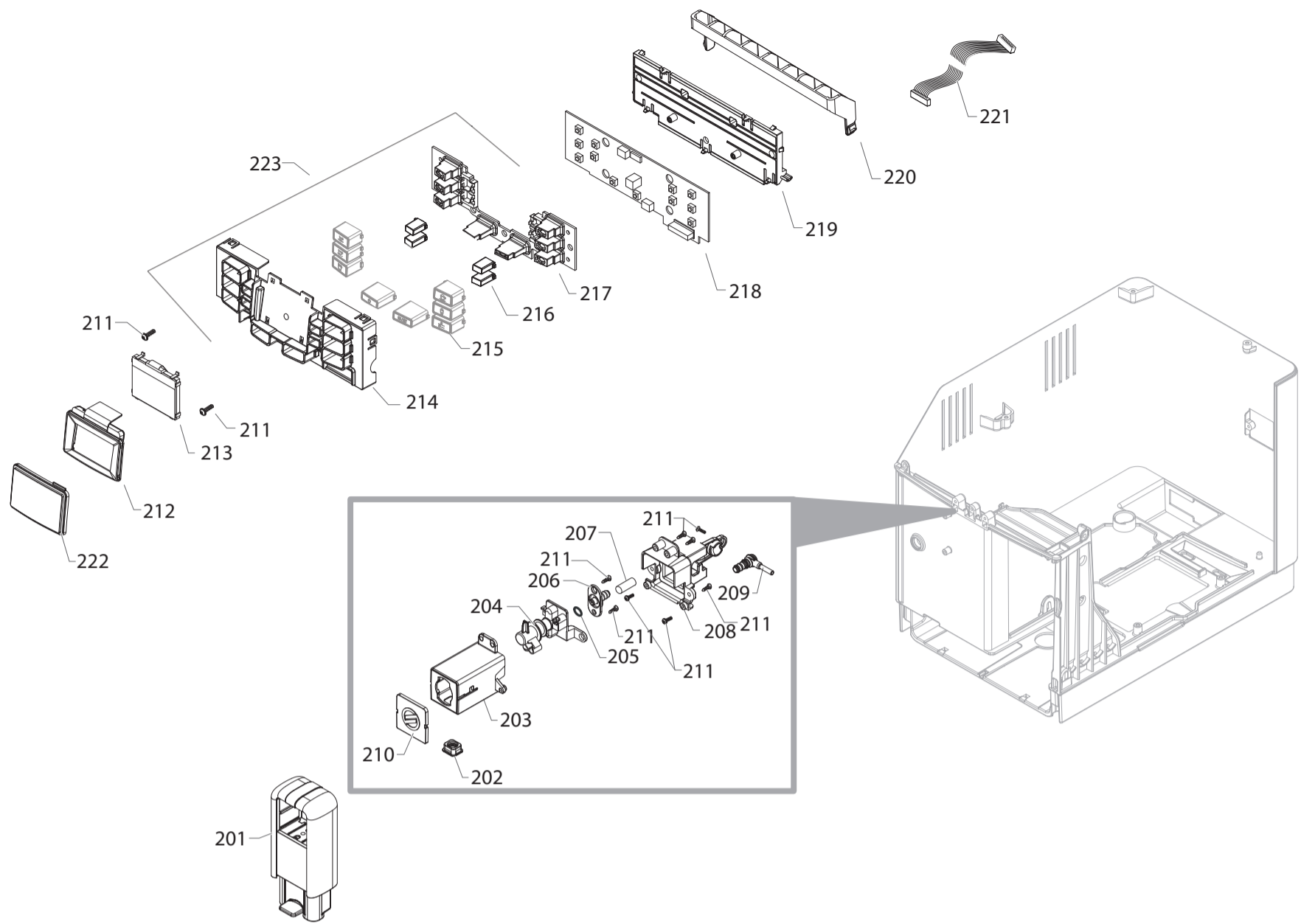
Cod. 882861810010-61810300-62600220-67710010
 Cod. 882861810220-62610010-66010010-66010300
 Cod. 882867110010- 68610010-67110300-67210010-67310010

POS	CODE	12NC	DESCRIPTION	NOTE	POS	CODE	12NC	DESCRIPTION	NOTE
147		421944080871	WHIS CASING INSERT SMRE/T	SM5478/10					
		421944043711	SS LOWER FRONT INSERT SMRG ASSY	SM5479					
148		421944043801	CHR.LOWER RIGHT FRAME SMRG						
149		421944043791	CHR.LOWER LEFT FRAME SMRG						
150		421944075151	BLK GRIND.ADJUST.KNOB 10 POS. SMR						
151		421944052001	CARAFE HOLE PLUG INSERT SMRG/T-TE						
152	17001506	996530073635	BLK DRIP TRAY LOCKING RIGHT INSERT SMR/T						
153	17001507	996530073642	BLK DRIP TRAY LOCKING LEFT INSERT SMR/T						
154		421941310511	KIT SPARES M/SIL DRIP TRAY SMRG/T						
			SM3061/10 SM3054/10 SM5471/10						
		421941310161	KIT SPARES DEEP/BLK DRIP TRAY SMRG/P						
			SM3054/00 SM5460-70						
		421941310101	KIT SPARES TIT DRIP TRAY SMRG/T	SM5473-79					
		421941311591	KIT SPARES WHIS DRIP TRAY SMRG/T	SM5470					
155		421944062011	BUSH FOR FIXING UPP.CAS.COVER SMRC						
156		421944063131	BLK DUMP BOX INSERT V2 NPR						
157		421941309971	KIT BLK D.BOX V2 SMRG + D.BOX INS.V2 NPR						
158		421944072821	BLK SEAL CONT.LIDS V2 SMRG						
159		421944063691	M/BLK CASING V2 SMRC/P ASSY						
		421944082611	WHIS CASING V2 SMRC/P ASSY	SM5478/10					



PICOBARISTO OTC PRM

TABLE 1b/7



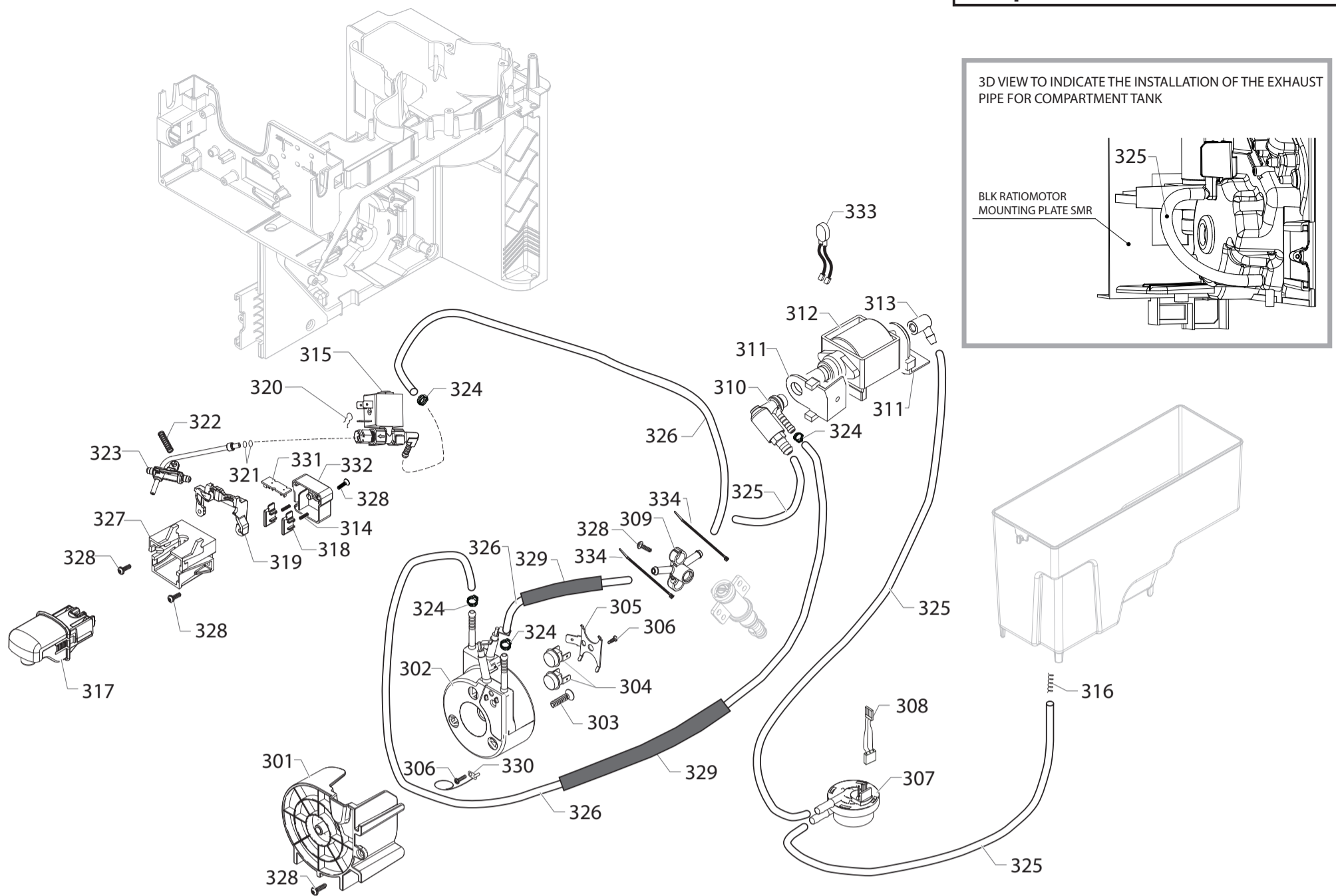
SM3061/10 SM3054/00 SM5460/10
 SM3061/10 SM3054/10 SM5478/10
 SM5470/10 SM5471/10 SM5473/10 SM5479/10



Cod. 882861810010-61810300-62600220-67710010
 Cod. 882861810220-62610010-66010010-66010300
 Cod. 882867110010- 68610010-67110300-67210010-67310010

POS	CODE	12NC	DESCRIPTION	NOTE	POS	CODE	12NC	DESCRIPTION	NOTE
201		421944049912	COF.DISPENS.V2 SMRC ASSY						
		421944084301	G/BLK COF.DISPENS.SMRC ASSY	SM5460-70-71					
202	11013072	996530006604	BLACK SEAL FOR COFFEE DISPENSER MYB9						
203		421944053632	CHROM.COFFEE DISPENSER SUPPORT V2 SMRC						
204		421944050111	BLACK COFFEE DISPENSER TUBE NO SBS CST						
205	12000070	996530007732	OR ORM 0060-15 SILICONE						
206		421944045202	BLK COFFEE DISPENSER CONNECTOR V2 SMRC						
207	149360200	996530018269	SILICONE TUBE 5X8 70SR	IN ROLL					
208		421944045371	BLK BODY ATT.FOR COFFEE DISP.SMRC						
		421944045372	BLK BODY ATT.FOR COFFEE DISP.V2 SMRC	SM5460-70-71					
209	17001849	996530073464	BLK BREW UNIT COFFEE OUTLET CONNECT.SMR						
210		421941301241	BLK COF.DISPENS.SUPP.CAP S/SCR.CST/H						
211	12000450	996530007819	SCREW TCBR TORX 10 3,5X12 PLAST.ZN-N						
212		421944046901	BLK DISPLAY SEAL SMRC/P-T						
213		421941307861	DISPLAY HIGO FL						
214		421944045031	BLK DISPLAY SUPPORT SMRC						
215			CHR.TOUCH PANEL 8KEYS SMRC/T ASSY	NOT AVAILABLE					
216		421944051881	BLK TOUCH PANEL 4KEYS S/SCR. SMRC						
217		421944063191	BLK TOUCH PANEL 8KEYS V2 SMRC/T-P						
218		421941307401	KYB DIGITAL SMRC						
219		421944049741	BLK DISPLAY KEYB.-INTERFACE SUPPORT SMRC						
220		421944034431	BLOCK KEY SUPP. SMRG						
221		421946020421	16P.CPU-USER INTERF.FLATCABLE SMRG						
222		421944046911	TRANSP.GLASS FOR DISPLAY SMRC						
223		421944063231	DISPLAY SUPPORT V2 SMRC/T ASSY	SM3061					
		421944078661	DISPLAY SUPPORT V3 SMRC/T ASSY	SM3054					
		421946042181	DISPLAY SUPPORT V4 SMRC/T ASSY	SM5478-60-70-71 SM5473-79					





SM3061/10 SM3054/00 SM5460/10
 SM3061/10 SM3054/10 SM5478/10
 SM5470/10 SM5471/10 SM5473/10 SM5479/10

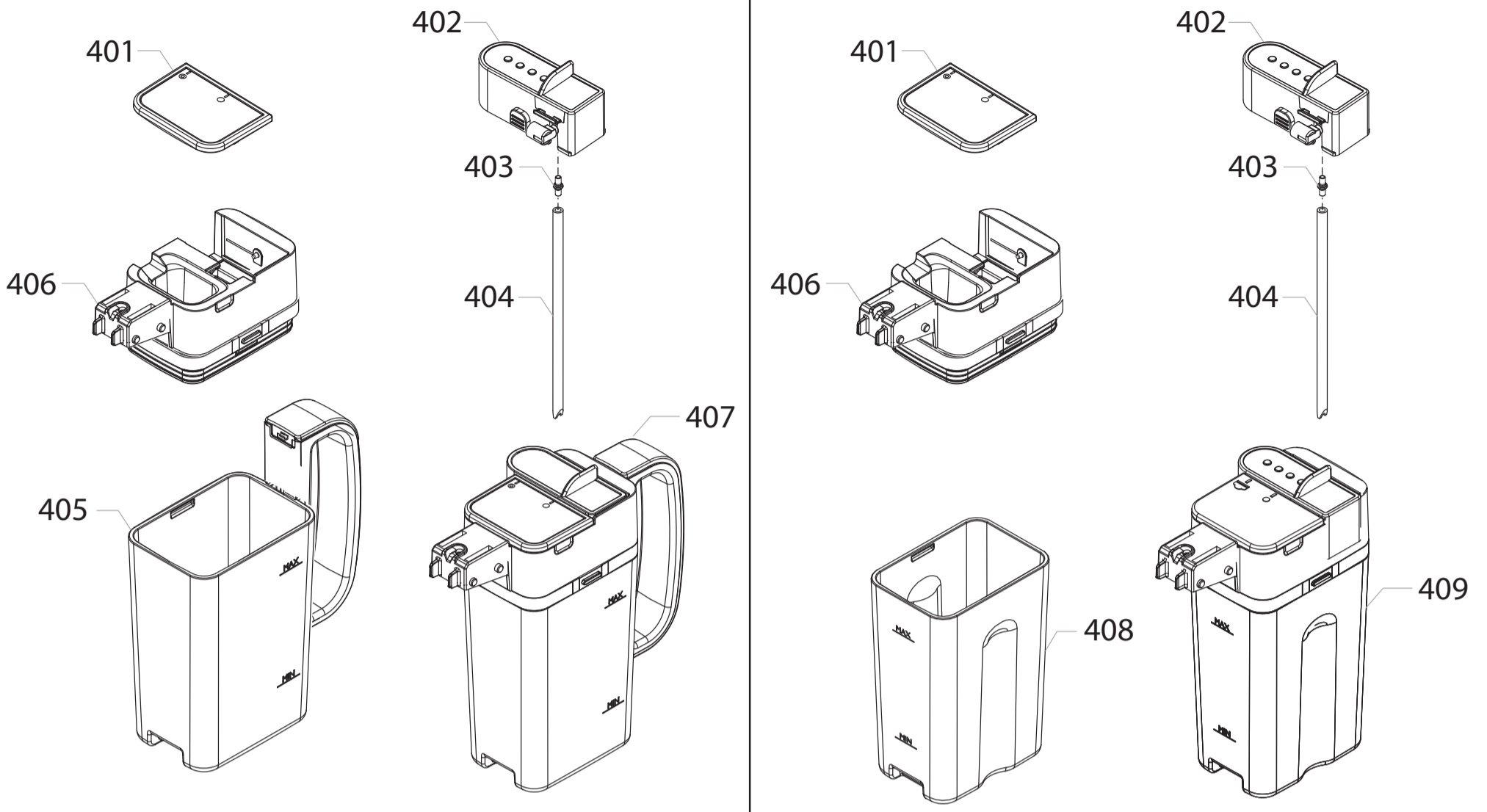


Cod. 882861810010-61810300-62600220-67710010
 Cod. 882861810220-62610010-66010010-66010300
 Cod. 882867110010- 68610010-67110300-67210010-67310010

POS	CODE	12NC	DESCRIPTION	NOTE	POS	CODE	12NC	DESCRIPTION	NOTE
301		421944040831	BLK SLIM TUB.BOILER SUPPORT V2 SMR						
302		421944028841	TUB.BOILER XS4 ASSY.	230V-1900W					
303	12001280	996530008024	SCREW TSP TORX 10 5X20 PLAST.ZN-B						
304		262279998757	THERMOSTAT OPEN/CLOSE 190/-35DEGC B						
305	11001751	996530000997	TUB.BOILER V3 UPPER THERM.FIXING SPRING						
306	12001715	996530069758	SCREW TCB TORX 20 M4X8 AUTOFORMING ZN-B						
307	NV99.099	996530059843	TURBINE D=1,2 932-8521/00 ASSY.						
308	17800686	996530073488	3POLES CONNECTOR FLOWMETER SMR UL						
309		421944069751	BLK CONNECTOR FOR PIN BOILER V3 SMR						
310	11024863	996530068178	L-F/BR.SAFETY VALVE 16-18 BAR ASSY.						
311	149205850	996530018056	BLACK TYPE ULKA PUMP W/BEVEL SUPPORT						
312		421941305991	ULKA PUMP EP5FMGW	230V-50HZ					
313	11002149	996530001186	BLACK PUMP OUTLET 90°CONNECTOR P0049/A						
314	17000019	996530009566	SS CARAFE MICRO INSERT SPRING MYB9						
315		421944029341	SOLENOID VALVES SMR/T 24V ASSY.						
316	0701.081	996530073439	SPRING FOR TUBE PRODUCT 1						
317		421944042971	BLK HOT WATER DISPENSER SMRG ASSY.						
318	17001329	996530069817	BLACK CARAFE MICRO INSERT NPR/T						
319		421944086321	BLK CARAFE GRAFT BODY INSERT V2 SMR/T						
320	9011.144	996530048885	SS FORK FOR TUBE D=4						
321	140328059	996530013564	OR 2015 SILICONE PTFE/FDA						
322	17000006	996530009559	TWO WAY TEFLON TUBES SUPPORT SPRING MYB9						
323		421944029721	WHT PREFORM.TEFLON TUBE SUP.145 SMR/T AS						
324	12000892	996530007947	OETIKER CLAMP D=9,5 16700004						
325	JS01.022	996530057357	SILICONE TUBE 5X10 60SH	IN ROLL					
326	16000380	996530009505	5X8,9 SILICONE TUBE	IN ROLL					
327		421944049331	BLK CARAFE INSERT BODY SMRC/T						
328	12000450	996530007819	SCREW TCB TORX 10 3,5X12 PLAST.ZN-N						
329	16000540	996530009523	TRANSPAR.11X12,8 SILICONE TUBE	IN ROLL					
330	17800628	996530073428	TEMPERATURE SENSOR NTC UL L=550MM						
331		421941308431	NPR V2 CARAFE						
332		421944049341	CARAFE BOARD COVER SMRC/T						
333	17800635	996530074282	2P.CONN.PUMP SMR UL ASSY.						
334		242201520471	CABLE TIE PA66 BK 3.5X140 5309 B						
		421944082241	GEN.TUB.BOILER V2 XS4 1900W 230V ASSY	COMPLETE					



PICOBARISTO OTC PRM

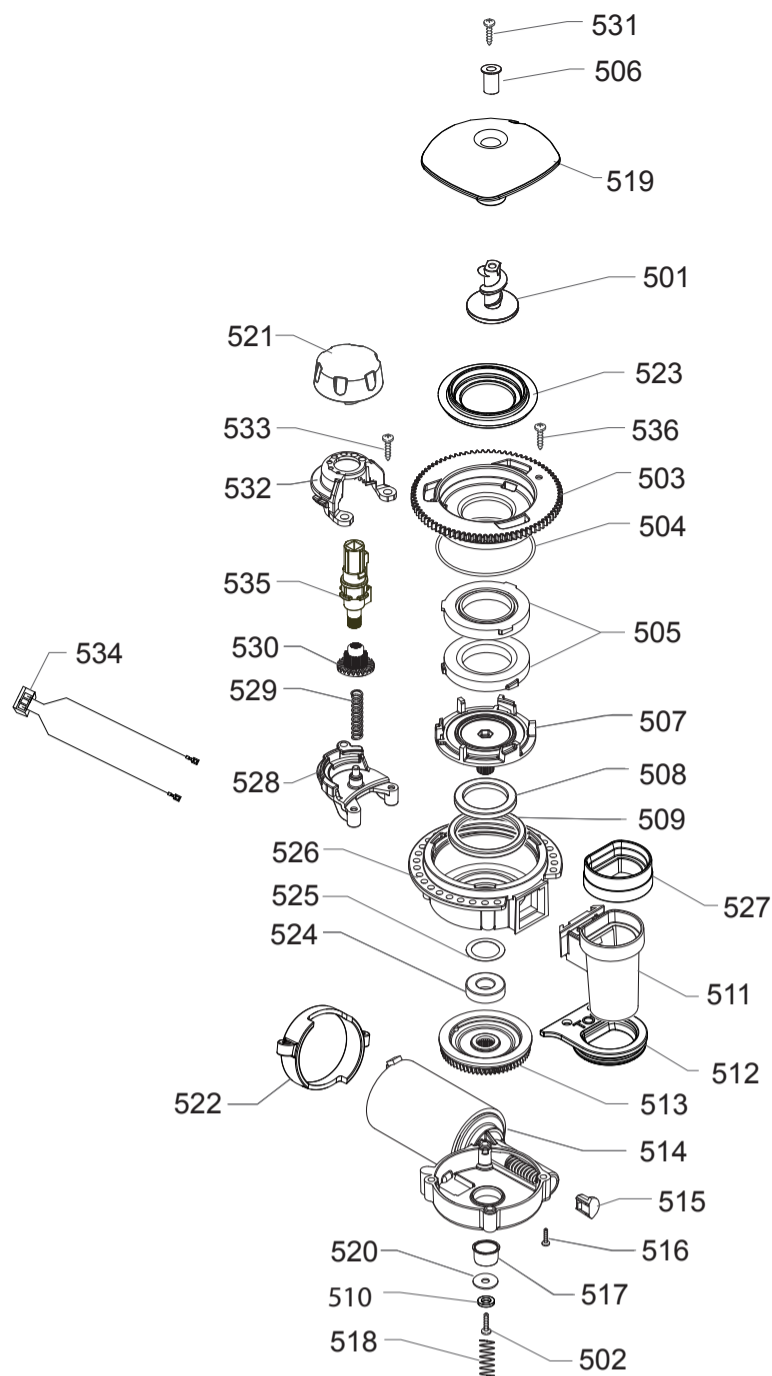


SM3061/10 SM3054/00 SM5460/10
 SM3061/10 SM3054/10 SM5478/10
 SM5470/10 SM5471/10 SM5473/10 SM5479/10



Cod. 882861810010-61810300-62600220-67710010
 Cod. 882861810220-62610010-66010010-66010300
 Cod. 882867110010- 68610010-67110300-67210010-67310010

POS	CODE	12NC	DESCRIPTION	NOTE	POS	CODE	12NC	DESCRIPTION	NOTE
401		421944007561	BLK CARAFE COVER PLUG SMR/T						
402		421941307191	KIT SPAR.BLK CAP.COV.SERVO CAR.SMRT/T AS						
403		421944085271	BLK MILK INTAKE TUBE CONNECT.INS.RYL.V3						
404	11012814	996530067584	SILICONE TUBE 3,5X6 L=140 MM						
405		421941309041	KIT SPARES BLK CARAFE HANDLE V2 NPR/T						
406		421941307041	KIT SPARES BLK UPP.COV.SERVO CAR.SMRT/T						
407		421944069741	TRANSP/BLK GEN.CARAFE SLID.V2 SMRC ASSY						
			SM3061 SM5470 SM5471						
		421944069661	TRANSP/BLK CARAFE SLID.V2 SMRC ASSY						
			SM5478 SM5473 SM5479						
408		421944032881	TRANSP.D/GREY PH-11514 CARAFE V2 HGO/T						
			SM3054/00 SM3054/10						
		421944067741	TRANSP.CARAFE HGO/T SAN LURAN	SM5460					
409		421944029452	TRANSP/BLK GEN.CARAFE SLID.V2 SMR/T ASSY						
			SM3054/00 SM3054/10						
		421944068631	TRANSP/BLK GEN.CARAFE SLID.V3 SMR/T ASSY	SM5460					



SM3061/10 SM3054/00 SM5460/10
 SM3061/10 SM3054/10 SM5478/10
 SM5470/10 SM5471/10 SM5473/10 SM5479/10

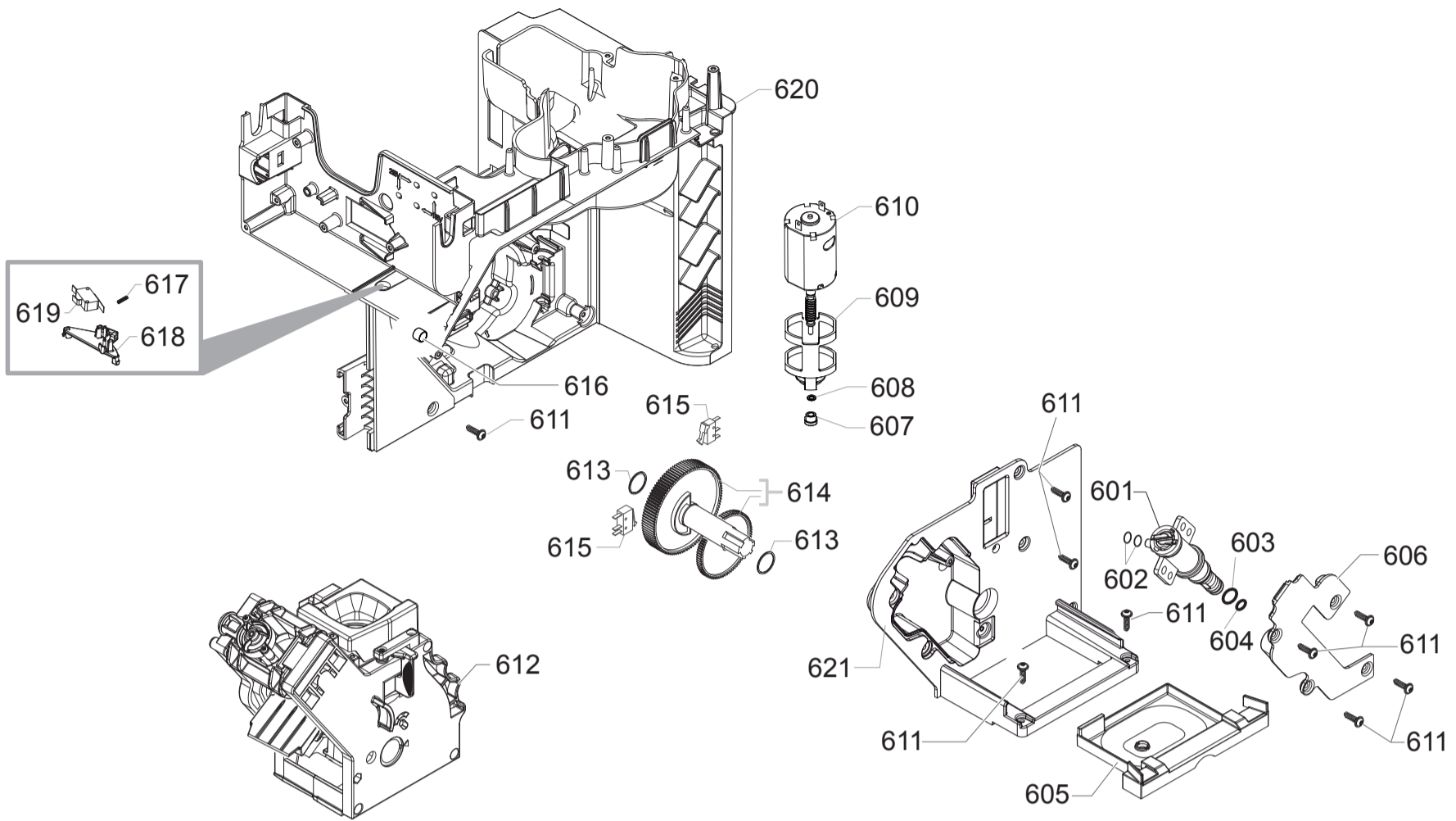


Cod. 882861810010-61810300-62600220-67710010
 Cod. 882861810220-62610010-66010010-66010300
 Cod. 882867110010- 68610010-67110300-67210010-67310010

POS	CODE	12NC	DESCRIPTION	NOTE	POS	CODE	12NC	DESCRIPTION	NOTE
501	11010031	996530005586	TEA/ZAMA INCREASE SCREW GRINDER						
502	129574802	996530012928	SCREW TCB TORX 20 M4X30 ZN-B						
503		421944053581	BLK COF.GRINDER UPPER GRINDER SUPPORT V3						
504	140328960	996530013577	OR ORM 0530-15 NBR FDA						
505	146520100	996530016342	BAKED CLAY GRINDER 48X28						
506	11012466	996530006412	BRASS BUSH BEAN CONT.FINGER PROTEC.P0057						
507	149198350	996530017952	BLK LOWER COFFEEGRINDER GRINDER SUPPORT						
508	123030300	996530011183	AXIAL BEARING EKKO 342.35252						
509	140360500	996530013597	FELT RING 45,4X39,4X4						
510	128310402	996530012341	GALV.WASHER UNI 8842 A4						
511	11026355	996530068049	BLK GROUND COFF.OUTLET CONVEYOR V4 ASSY.						
512		421944060561	GRY GROUND COF.CONT.LOWER SEAL V2 SMART1						
513	226000300	996530029609	GEAR SX Z=38 FOR GRINDER MOTION ASSY.						
514		421944049151	MOTOR COFFEEGRINDER V3.2 ASSY.	230V					
515	149214800	996530018139	MC V3 MOD=1,25 WORM SCREW CENTRING CAP						
516	129661702	996530012992	SCREW TCB TORX 3,5X30 PLAST.ZN-B						
517	11002873	996530001389	INSULATOR BUSH FOR GRINDER MOTOR P124						
518	11000597	996530000376	STEEL COF.GRINDER SUPPORT SPRING P124						
519	17001008	996530073467	BLK BEAN COF.CONT.FINGER PROTECT.SMR UL						
520	128381902	996530012375	STEEL FLAT WASHER DI=4,3 DE=14 SP=1,5						
521		421944075151	BLK GRIND.ADJUST.KNOB 10 POS. SMR						
522	11000194	996530000115	BLACK COFFEEGRINDER MOTOR SUPPORT P124						
523		421941085872	COFFEE GRINDER SEAL P119 GRY 7035						
524	123030200	996530011182	RADIAL BEARING 61900.2RS1						
525	128381800	996530012374	STEEL CRINKLE WASHER 21,8X14X0,25						
526	142905450	996530015258	BLK UPPER BODY WITH COFFEE GROUND OUTLET						
527	145854360	996530015958	BLK GROUND COFFEE CONT.UPPER SEAL SMART1						
528	11002613	996530001314	LOWER COFFEEGRINDER GEAR SUPPORT P124						
529	11002572	996530001308	COFFEEGRINDER REGULATION SPRING P124						
530	11003784	996530001907	COFFEE GRINDING ADJUSTMENT GEAR P0049						
531	U043.004	996530061808	ZN-B TCB TORX 20 M4X16 ZN-B						
532	11002508	996530001296	UPPER COFFEEGRINDER GEAR SUPPORT P124						
533	129914002	996530013165	SCREW TCB TORX 10 3,5X16 PLAST.ZN-B						
534	17800688	996530073454	2POLES CONNET.COFFEEGRINDER MOTOR SMR UL						
535		421944052341	BLW BEAN COFFEE GRINDER INSERT V2 SMR						
536	12001622	996530068586	SCREW TCB TORX B 3,5X9,5 SCHEET NIK						
		421944054631	GEN.MOTOR COF.GRINDER V2 SMR/B 230V ASSY	COMPLETE					



PICOBARISTO OTC PRM



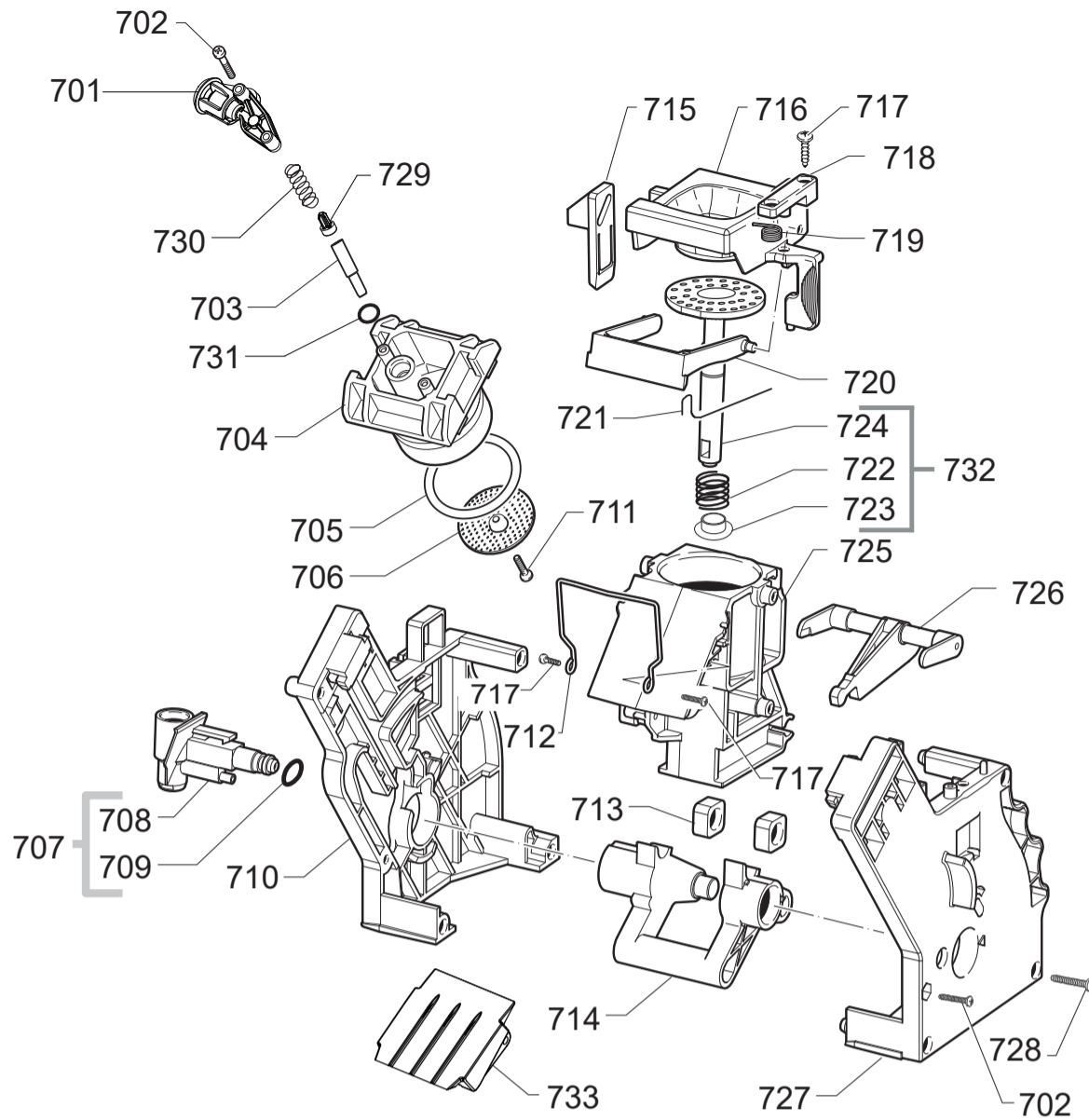
SM3061/10 SM3054/00 SM5460/10
 SM3061/10 SM3054/10 SM5478/10
 SM5470/10 SM5471/10 SM5473/10 SM5479/10



Cod. 882861810010-61810300-62600220-67710010
 Cod. 882861810220-62610010-66010010-66010300
 Cod. 882867110010- 68610010-67110300-67210010-67310010

POS	CODE	12NC	DESCRIPTION	NOTE	POS	CODE	12NC	DESCRIPTION	NOTE
601		421945000221	PIN FOR BOILER SMR ASSY						
602	140328059	996530013564	OR 2015 SILICONE PTFE/FDA						
603	NM01.035	996530059399	OR ORM 0090-20 SILICONE						
604	NM01.057	996530059419	OR ORM 0050-20 IN SILICONE						
605		421944062701	BLK BREW UNIT DRAWER COFFEE V2 SMR						
606	17000730	996530074054	BLACK BOILER SEAT PIN COVER SMR						
607	9121.046	996530049898	BRONZE SINTERED BUSH FOR MOTOR RATIOMOT.						
608	148380200	996530017424	BAKELIZZATE WASHER D=5,5						
609	9121.044	996530049896	ANTIVIBRATION FOR MOTOR						
610	11005214	996530002796	MOTOR FOR RATIOMOTOR P124 ASSY.						
611	12001728	996530070321	SCREW TCBR TORX 10 3,5X12 PLAST.SS						
612		421944092331	BLK/YLW BREW UNIT 8GR.5BAR FTR/B V3						
613	9161.132	996530050569	MYLAR WASHER FOR RATIOMOTOR						
614	20000900	996530009913	SPARES KIT GEARS FOR RATIOMOTOR V2						
615		421946025541	MICROSWITCH XC/SM1 V2						
616	9161.111	996530050555	MAGNET FOR FLOAT SUPERAUT.						
617		421944006861	STEEL SPRING FOR MICRO COMPENSATOR SMR						
618	17001508	996530073469	BLACK MICRO COMPENSATOR SMR						
619	12001890	996530073209	MICROSWITCH XG/V3D						
620		421944052111	BLK RATIOMOTOR MOUNTING PLATE SMRC ASSY						
621		421941287512	BLK RATIOMOT.MOUNTING PLATE COVER V2 SMR						





SM3061/10 SM3054/00 SM5460/10
 SM3061/10 SM3054/10 SM5478/10
 SM5470/10 SM5471/10 SM5473/10 SM5479/10



Cod. 882861810010-61810300-62600220-67710010
 Cod. 882861810220-62610010-66010010-66010300
 Cod. 882867110010- 68610010-67110300-67210010-67310010

POS	CODE	12NC	DESCRIPTION	NOTE	POS	CODE	12NC	DESCRIPTION	NOTE
701		421944065221	BLK BREW UNIT COF.OUTLET SLEEVE SMR ASSY						
702	12000550	996530007838	SCREW TCB TORX 10 3X25 PLAST.SS						
703	11009276	996530005372	BLK COUNTER PISTON TUBE BREW UNIT S0053						
704		421944079991	BLK BREW UNIT 8GR.COUNTER PISTON V2 P124						
705	NM01.044	996530059406	OR ORM 0320-40 SILICONE PTFE/FDA						
706	9161.268	996530050709	PERCOLATOR DE=35,8 ELFO						
707	-	-	PARTICULAR NOT AVAILABLE						
708		421944050641	BREW UN.WATER INLET SLEEVE V2 SMR						
709	NM02.007	996530059441	OR 2025 IN TERMOIL						
710	9161.375.050	996530050832	BLACK BREW UNIT REAR PLATE SMART						
711	12000895	996530007951	SCREW TSP TORX 10 3X10 PLAST.SS						
712	11001556	996530000898	SS BREW UNIT SPRING H=49 SMART						
713	9161.094.050	996530050539	BLACK BREW UNIT DRILLED BLOCK						
714		421944079201	YLW BREW UNIT ELBOW SHAFT V2 M5000						
715		421944046931	YLW BREW UNIT COUPLING PLATE V2 SMART						
716	149261350	996530018241	BLACK HOPPER DOSER BREW UNIT SMART1						
717	129912521	996530013148	SCREW TCB TORX 10 3,5X14 PLAST.SS						
718		421944050711	YLW BREWUNIT HOPPER BLOCKING PLATE SMART						
719	9161.378	996530050838	SS HOPPER SPRING FOR BREW UNIT SMART						
720	11004161	996530002096	BLACK SCRAPER FOR BREW UNIT M5000						
721	9161.046	996530050455	SS SCRAPER SPRING FOR BREW UNIT						
722	9161.198	996530050627	SS.8GR.BREW UNIT PISTON SPRING						
723	9161.191	996530050618	WHITE 8GR.-12GR.BREW UNIT PISTON BUSH						
724		421944065791	GRY BREW UNIT INTEGR.PISTON 8GR.V3 ASSY						
725		421944014611	BLK COF.CONTAIN.BREW UNIT V2 M5000 ASSY.						
726	11003078	996530001452	BLACK CONNECTING ROD BREW UNIT 8GR.						
727	11005920	996530003228	BLACK BREW UNIT FRONT PLATE S/SCR.SMART						
728	12000897	996530007953	SCREW TCB TORX 10 3,5X20 PLAST.SS						
729		421944081491	BREW UNIT VALVE FTR/B						
730		996530050657	SS.CONICAL SPRING						
731	140328761	996530013575	OR ORM 0060-15 TERMOIL						
732		421944065811	GRY BREW UNIT 8GR.INT.PISTON GEN.V3 ASSY						
733	17000737	996530073426	BLACK BREW UNIT CONVEYOR SLIDE L=56,3						
		421944092331	BLK/YLW BREW UNIT 8GR.5BAR FTR/B V3						



PICOBARISTO OTC PRM