

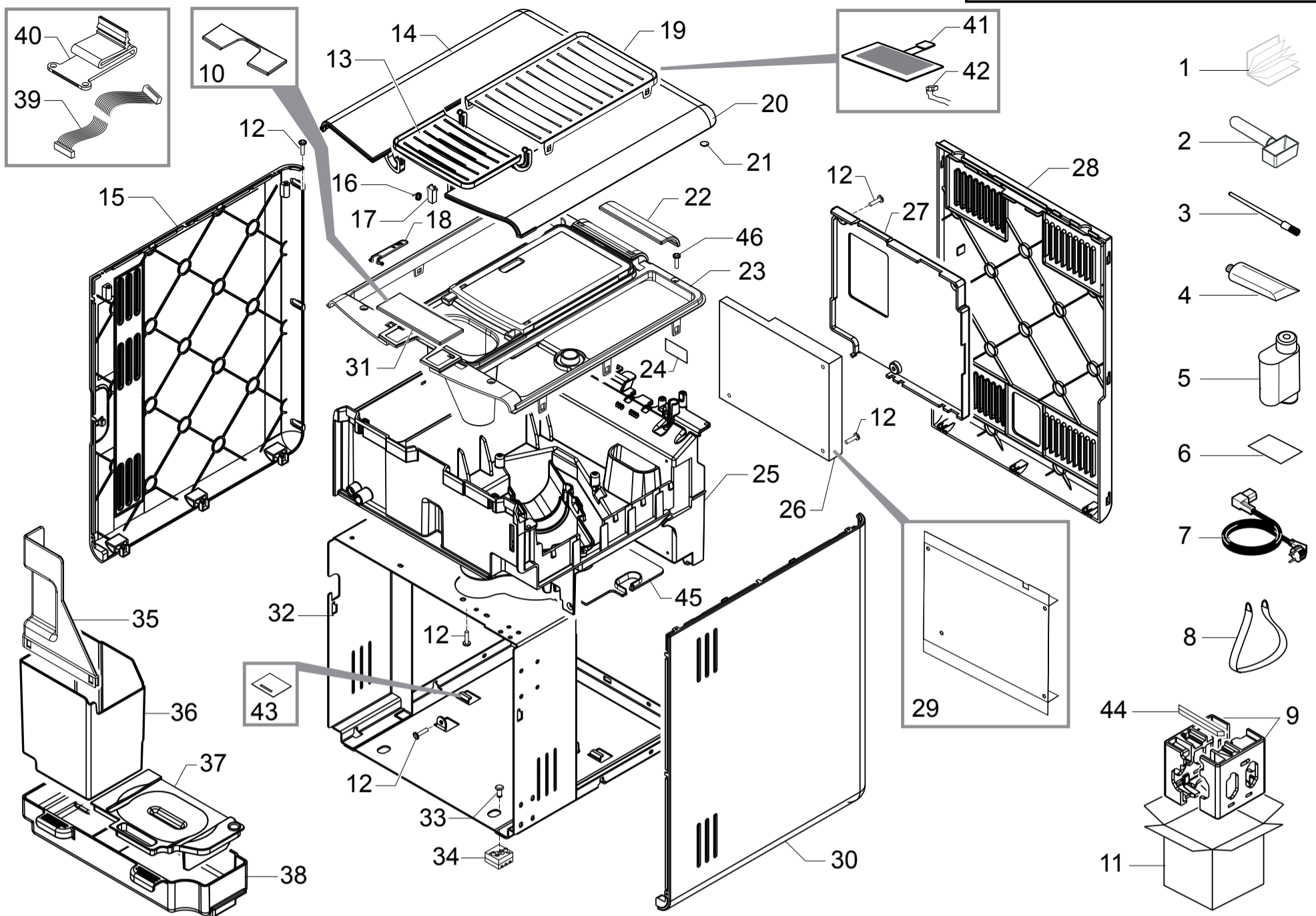
HD8943/11-12-13-14-16-19-21-22-29
 HD8944/01-02-06-07-08-09-13-18-47
 HD8946/01-02-03-09-47



Cod.10003568-70-77-4163-3315-3569-71-73-72
 Cod.10003565-67-3312-11-13-3566-76-3807-86
 Cod.10003562-64-63-3928-3885

POS	CODE	12NC	DESCRIPTION	NOTE
01		NOT AVAILABLE		
02	146680850	996530016529	BLACK COFFEE MEASURE SMART	
03	127390100	996530011867	BRUSH FOR CLEANING	
04	11028379	996530070318	PSA KLUBER TRIBOSTAR SIL 2 TUBE 5GR.	
05	21002051	996530071783	ACC PSA MAVEA WATER FILTER 1UNIT	USA
06	0301.961	996530039604	STICKER FOR WATER HARDNESS TEST	
07	183911050	996530025808	BLACK POWER CABLE SCHUKO L=1200	
	183930650	996530025858	POWER CABLE CH BLACK 3X1 H05VV-F L=1200	
	183921950	996530025843	POWER CABLE SJT3 USA BLACK UL L=1200	
	183940650	996530025872	BLACK POWER CABLE AUSTRALIA L=1200	
	11001985	996530001089	BLACK POWER CABLE KOREA L=1200	
	11004246	996530002166	BLACK POWER CABLE TAIWAN HVCTF L=1200	
	11004247	996530002167	BLACK POWER CABLE RVV 3X1 CHINA L=1200	
	17800024	996530009632	BLACK POWER CABLE JAPPON VCTF L=1200MM	
	183970350	996530025882	BLACK POWER CABLE UK L=1200	
08	13001097	996530008404	BAND FOR LIFTING L=1800MM H=300MM	
09	20006891	996530067538	KIT PS-E INSERT FOR BOX MYB9	
10	11022804	996530007446	SM/SS FRONT COVER CASING INS.MYB9/T ASSY	HD8946
11	13001263	996530067566	DISPLAY BOX MYB9/H PSA XELSIS SS/CL.WE	HD8943/11-12-13-14-16-21-22 HD8944/01-02-06-07-08-13-18
	13001264	996530067542	DISPLAY BOX MYB9/H PSA XELSIS SS/CL.CEE	HD8943/19-29 HD8944/09 HD8946/09
	13001265	996530067571	DISPLAY BOX MYB9/T PSA XELSIS ID SS WE	HD8946/01-02-03
	13001359	996530074535	DISPLAY BOX MYB9/T PSA XELSIS ID SS USA	HD8946/47
12	12000450	996530007819	SCREW TCBR TORX 10 3,5X12 PLAST.ZN-N	
13	11013210	996530006691	SB/SS GROUND CONT.DOOR COVER S/S.MYB9 AS	
		421941229272	SB/SS GROUND CON.DOOR COV.S/S.V2 MYB9 ASS	
			UP TO S/N TU901227104140	
			FROM S/N TU901227104141	
			ALL EXCEPT HD8946/01-02-03-09-47	
		421941218322	SM/SS GROUND CON.DOOR COV.S/S.V2 MYB9 AS	HD8946/01-02-03-09-47
14	11013148	996530006653	SB/SS WATER CONTAIN.DOOR COVER MYB9 ASSY	
			UP TO S/N TU901227104140	
	11029403	996530072665	SB/SS WATER CONT.DOOR COVER V2 MYB9 ASSY	HD8944
			FROM S/N TU901227104141	
	11029406	996530072983	BLACK WATER CONT.DOOR COVER V2 MYB9 ASSY	HD8943/11-12-13-16-19
	11029404	996530072937	WHITE WATER CONT.DOOR COVER V2 MYB9 ASSY	HD8943/14-21-22-29

POS	CODE	12NC	DESCRIPTION	NOTE
14	11029405	996530073366	SM/SS WATER CONT.DOOR COVER V2 MYB9 ASSY	HD8946
15	17000101	996530070341	SB/SS LEFT SIDE PANEL V2 MYB9/H-T ASSY.	
			UP TO S/N TU901227104140	
	11028790	996530072664	SB/SS LEFT SIDE PANEL V2 MYB9/H-T ASSY.	HD8944
			FROM S/N TU901227104141	
	11024524	996530070337	BLACK LEFT SIDE PANEL V2 MYB9/H-T ASSY.	HD8943/11-12-13-16-19
	11024523	996530070334	WHITE LEFT SIDE PANEL V2 MYB9/H-T ASSY.	HD8943/14-21-22-29
	11024522	996530070338	SM/SS LEFT SIDE PANEL V2 MYB9/H-T ASSY.	HD8946
16	11022426	996530007365	SS SPRING FOR WATER CONTAINER LEVER MYB9	
17	12001263	996530008019	BLACK PUSH-PUSH MYB9	
18	11022425	996530007364	YELLOW LEVER FOR WATER CONTAIN.S/SC.MYB9	
19	17000059	996530067839	SB/SS CUP WARMING LID V2 MYB9	
			UP TO S/N TU901227104140	
	11025965	996530072656	SB/SS CUP WARMING LID V2 MYB9	EXCEPT HD8946
			FROM S/N TU901227104141	
	11024245	996530070333	SM/SS CUP WARMING LID V2 MYB9	HD8946
20	11013149	996530006654	SB/SS BEAN CONTAIN.DOOR COVER MYB9 ASSY.	
			UP TO S/N TU901227104140	
	11029385	996530072661	SB/SS BEAN CONT.DOOR COVER V2 MYB9 ASSY.	HD8944
			FROM S/N TU901227104141	
	11029388	996530072981	BLACK BEAN CONT.DOOR COVER V2 MYB9 ASSY.	HD8943/11-12-13-16-19
	11029386	996530072982	WHITE BEAN CONT.DOOR COVER V2 MYB9 ASSY.	HD8943/14-21-22-29
	11029387	996530073365	SM/SS BEAN CONT.DOOR COVER V2 MYB9 ASSY.	HD8946
21	12001330	996530008026	TRANSP.ROUND ADHESIVE FOOT SJ-5382	
22	11022809	996530007452	SB/SS REAR COVER CASING INSERT MYB9 ASSY	
			UP TO S/N TU901227104140	
	11025964	996530072663	SB/SS REAR COVER CASING INSERT MYB9 ASSY	HD8944
			FROM S/N TU901227104141	
	11022821	996530007454	BLK REAR COVER CASING INSERT MYB9 ASSY.	HD8943/11-12-13-16-19
	11022820	996530007453	WHT REAR COVER CASING INSERT MYB9 ASSY.	HD8943/14-21-22-29
	11023105	996530007582	SM/SS REAR COVER CASING INSERT MYB9 ASSY	HD8946
23	17000205	996530066735	BLACK COVER CASING W/PROTECT.V2 MYB9/H-T	
24	11003232	996530001522	AS.CPU+SW WATER LEVEL SENSOR V2	
25	11014017	996530006969	BLACK HORIZONTAL MOUNTING PLATE MYB9 ASS	
26	11024263	996530067506	PWR BOARD MDS 230V	
26	11021342	996530007079	PWR BOARD MYB9/MDS 120V	
27	11012035	996530006299	BLACK PWR BOARD COVER MYB9	



PHILIPS

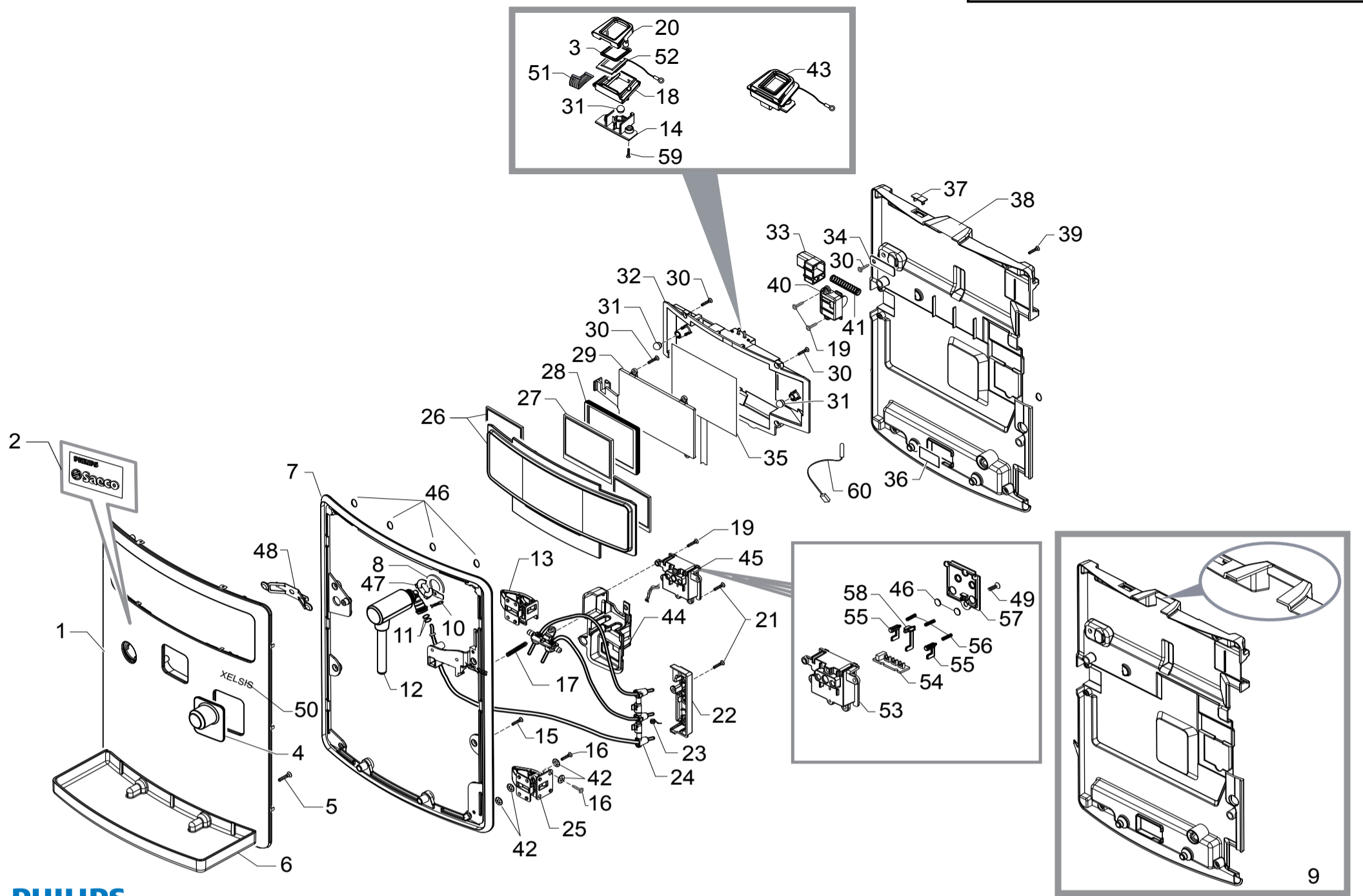
Saeco

HD8943/11-12-13-14-16-19-21-22-29
 HD8944/01-02-06-07-08-09-13-18-47
 HD8946/01-02-03-09-47



Cod.10003568-70-77-4163-3315-3569-71-73-72
 Cod.10003565-67-3312-11-13-3566-76-3807-86
 Cod.10003562-64-63-3928-3885

POS	CODE	12NC	DESCRIPTION	NOTE	POS	CODE	12NC	DESCRIPTION	NOTE
28	17000123	996530067922	BLACK REAR PANEL WHIT LOGO SAECO V2 MYB9						
29	11023304	996530007613	PWR ELECTR.BOARD INSULATE SHEET MYB9						
30	17000102	996530070339	SB/SS RIGHT SIDE PANEL V2 MYB9/H-T ASSY. UP TO S/N TU901227104140						
	11028791	996530072662	SB/SS RIGHT SIDE PANEL V2 MYB9/H-T ASSY. FROM S/N TU901227104141	HD8944					
	11024520	996530070336	BLACK RIGHT SIDE PANEL V2 MYB9/H-T ASSY.	HD8943/11-12-13-16-19					
	11024509	996530070335	WHITE RIGHT SIDE PANEL V2 MYB9/H-T ASSY.	HD8943/14-21-22-29					
	11024508	996530070231	SM/SS RIGHT SIDE PANEL V2 MYB9/H-T ASSY.	HD8946					
31	11022805	996530007447	SB/SS FRONT COVER CASING INS.MYB9/H-P AS UP TO S/N TU901227104140						
	11025962	996530072659	SB/SS FRONT COVER CASING INS.MYB9/H-P AS FROM S/N TU901227104141	HD8944					
	11022807	996530007449	BLK FRONT COVER CASING INS.MYB9/H-P ASSY	HD8943/11-12-13-16-19					
	11022806	996530007448	WHT FRONT COVER CASING INS.MYB9/H-P ASSY	HD8943/14-21-22-29					
32	11013170	996530006676	BLACK STEEL CASING MYB9 ASSY.						
33	11021769	996530007136	BLACK RIGID FOOT FIXING PIN MYB9						
34	11021829	996530007156	BLACK/TRANSP.RIGID FOOT MYB9						
35	11022527	996530007397	BLACK DUMP BOX PROTECTION MYB9						
36	11013595	996530006815	BLACK DUMP BOX MYB9 ASSY.						
37	11022169	996530007247	BLK DRIP TRAY COFF.BREW UNIT COVER MYB9						
38	17001901	996530071992	BLACK COFFEE UNIT DRIP TRAY V2 MYB9						
39	11013128	996530006642	40POLES FLAT CABLE BOARDS LINK MYB9 UL						
40	11013806	996530006864	BLACK FLAT-CABLE PROTECTION MYB9						
41	WGA4316031000	996530063553	ADHESIVE HEATING-ELEMENT 230V	230V					
	11000791	996530000503	ADHESIVE HEATING-ELEMENT 120V	120V					
42	11008844	996530005056	2POLES CONNECT.SUPPLY CUPWARMING G0053UL						
43	17000007	996530066726	COMPONENTS SUPPORT INSULATE SHEET MYB9	ONLY 120V					
44	13001231	996530008429	PS-E INSERT FOR BOX MYB9						
45		421944005541	BLK SLIM BOILER PROTECTION V2 MYB9	WITH BOILER SLIM					
46	12001728	996530070321	SCREW TCBR TORX 10 3,5X12 PLAST.SS						

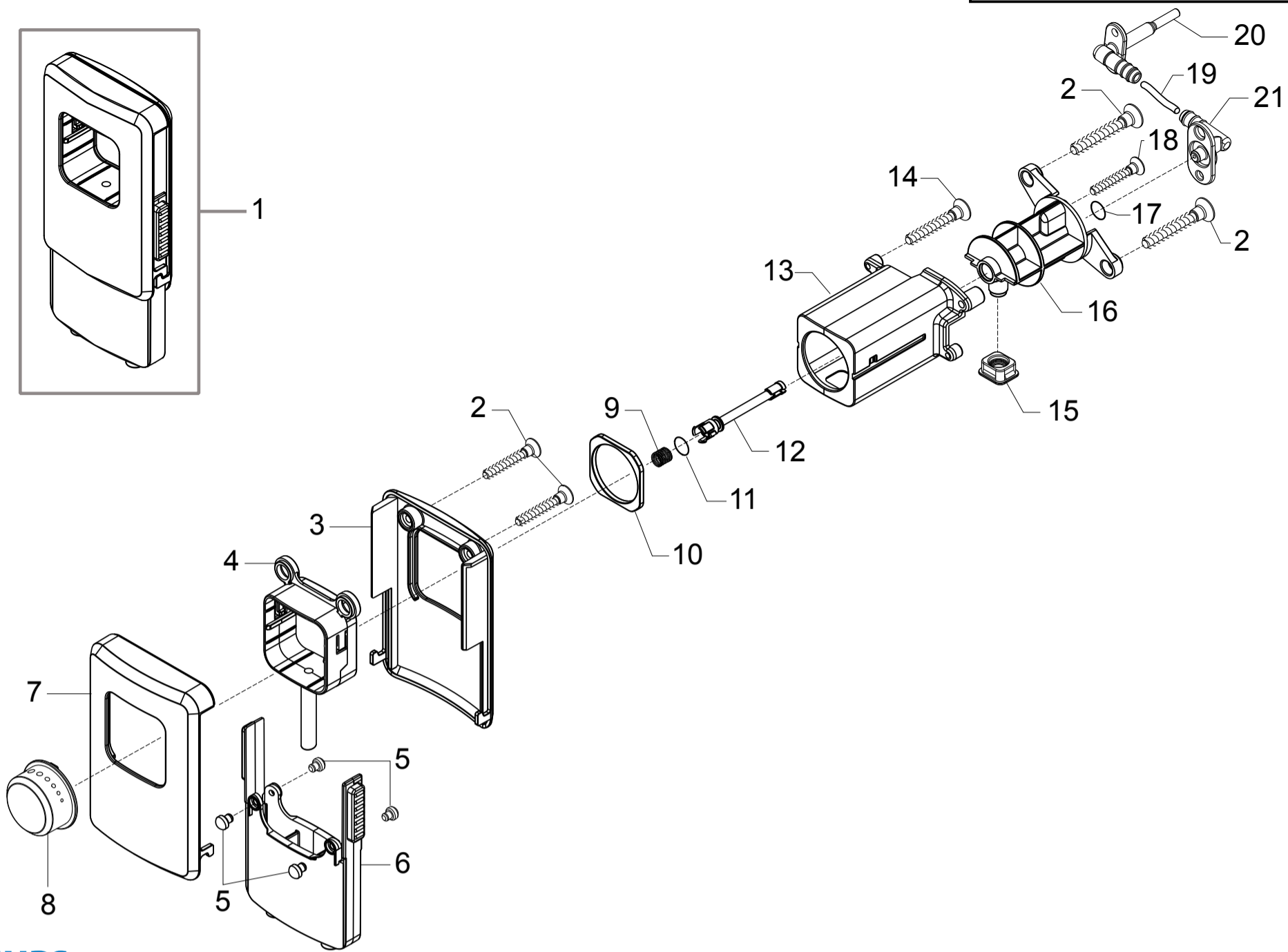


HD8943/11-12-13-14-16-19-21-22-29
 HD8944/01-02-06-07-08-09-13-18-47
 HD8946/01-02-03-09-47



Cod.10003568-70-77-4163-3315-3569-71-73-72
 Cod.10003565-67-3312-11-13-3566-76-3807-86
 Cod.10003562-64-63-3928-3885

POS	CODE	12NC	DESCRIPTION	NOTE	POS	CODE	12NC	DESCRIPTION	NOTE
01	11023522	996530007634	BLK FRONTAL PANEL V2 S/SCREEN MYB9 ASSY.	HD8943/11-12-13-16-19	33	11014215	996530007042	BLACK BUTTON FOR DOOR RELEASE MYB9	
	11023523	996530007635	WHT FRONTAL PANEL V2 S/SCREEN MYB9 ASSY.	HD8943/14-21-22-29	34	11021976	996530007207	STEEL PLATE FOR DOOR CLOSURE MYB9	
	11023319	996530007615	SM/SS FRONTAL PANEL V2 MYB9 ASSY.	HD8946	35	11024441	996530067552	CPU+SW MYB9/H PSA ASSY.	
	11024475	996530067556	SB/SS FRONTAL PANEL V2 S/SCR.MYB9 ASSY.					UP TO S/N TU901150186483	
	11025939	996530072658	SB/SS FRONTAL PANEL V2 S/SCR.MYB9 ASSY.	HD8944 NO 120V		11026862	996530070332	CPU+SW MYB9/H SLIM ASSY.	HD8943 HD8944
	11025938	996530072976	SB/SS FRONT PANEL V2 N/S/SCR.MYB9 ASSY.	HD8944/47		11024443	996530067563	CPU+SW MYB9/T PSA ASSY.	
02	11025026	996530068191	ADHES.SILVER PLATE LOGO PHILIPS-SAECO			11026860	996530070331	CPU+SW MYB9/T SLIM ASSY.	HD8946
03	17001078	996530070329	BLACK V3 FINGERPRINT SENSOR SEAL MYB9/T					UP TO S/N TU901150186483	
04	11024247	996530066715	CHROM.CONNec.CAP FOR CARAFE V2 MYB9 ASSY					FROM S/N TU901150186484	
05	12001369	996530008039	SCREW TSP TORX 10 5X35 PLAST.SS		36	11000651	996530000425	WATER LEVEL SENSOR BOARD P124	ONLY 120V -USA
06	17000215	996530070073	BLACK DRIP TRAY SUPPORT V2 MYB9/H-P ASSY	HD8943 HD8944				FOR ALL THE OTHER MODELS:	
	17000223	996530070223	BLACK DRIP TRAY SUPPORT V2 MYB9/T ASSY.	HD8946		11003232	996530001522	CPU+SW WATER LEVEL SENSOR V2 ASSY.	NO 120VUSA
07	-	421944013461	CHROM.ZAMA FRONT FRAME V3 MYB9					UP TO S/N TU901310040663	
08	11001624	996530000929	BLACK STEAM TUBE WASHER P0049			11003232	996530001522	CPU+SW WATER LEVEL SENSOR V2 ASSY.	
09	17001292	996530073363	BLK INSIDE COVER FRON.PANEL V3 MYB9/T					FROM S/N TU901310040664	
10	9011.144	996530048885	SS FORK FOR TUBE D=4		37	11001339	996530000763	TRANSP.INFRAREDS PLATE P0049	
11	140328059	996530013564	OR 2015 SILICONE PTFE/FDA		38	-	421944006981	BLK INSIDE COVER FRON.PANEL V4 MYB9/H	CLASS-HIGH
12		421944060411	TF/CHR- CHROM.STEAM TUBE V2 MYB9 ASSY		39	129912521	996530013148	SCREW TCB TORX 10 3,5X14 PLAST.SS	
13	17000106	996530009584	DOOR UPPER HINGE V2 MYB9		40	11014218	996530007043	BLACK COVER BUTTON FOR DOOR RELEASE MYB9	
14	11013309	996530006739	BLACK FINGER PRINT SUPPORT MYB9/T		41	11021747	996530007128	SPRING FOR DOOR RELEASE BUTTON MYB9	
15	12001430	996530008051	SCREW TCB TORX 20 4X10 PLAST.SS		42	128310402	996530012341	GALV.WASHER UNI 8842 A4	
16	129823821	996530013079	TCB SCREW M4X8 UNI 7687 SS		43	20006871	996530066745	KIT SPARES FINGERPRINT SENSOR MYB9/T	
17	17000006	996530009559	TWO WAY TEFLON TUBES SUPPORT SPRING MYB9					WITH PART. N° 3-14-18-20-31-51-52-59	
18	17000074	996530066729	BLK LOWER FINGERPRINT SENS.SEALV2 MYB9/T		44	11023251	996530007606	BLACK FRONTAL PANEL INSERT MYB9	
19	12000450	996530007819	SCREW TCB TORX 10 3,5X12 PLAST.ZN-N		45	11023423	996530066676	BLK CARAFFE BOARD SUPP.GEN.V2 MYB9 ASSY.	
20	17001306	996530070328	BLACK FINGER PRINT COVER V2 MYB9/T		46	12001330	996530008026	TRANSP.ROUND ADHESIVE FOOT SJ-5382	
21	12001431	996530008052	SCREW TCB TORX 10 3X12 PLAST.SS		47	17000055	996530072431	GALVAN/STEEL FOLK SPRING W/FASTON	
22	11013784	996530006855	BLACK TEFLON TUBES SUPPORT COVER MYB9		48	11006740	996530003793	BRONZE SPRING FOR FRONT CASING G0053	
23	11013785	996530006856	STEEL TEFLON TUBES SUPPORT SPRING MYB9		49	12000895	996530007951	SCREW TSP TORX 10 3X10 PLAST.SS	
24	11023352	996530066675	WHT PREFORM.TEFLON TUBES SUPP.MYB9 ASSY.		50	11022725	996530007418	ADHES.SILVER PLATE LOGO XELSIS	
25	17000094	996530009581	DOOR LOWER HINGE V2 MYB9		51			PARTICULAR NOT AVAILABLE	ID (SEE PART.N°43)
26	20006820	996530010248	KIT SPARES FRONT PLATE DISPLAY MYB9/H-T	COMPLETE	52			PARTICULAR NOT AVAILABLE	ID (SEE PART.N°43)
27	12001261	996530008018	DISPLAY 320x240 NO TOUCH BRIGHTNESS+MYB9		53	11023238	996530007602	AS.SUPP.SCHEDA CARAF.V4 MYB9 NER.	
28	11013226	996530006702	BLACK DISPLAY SEAL MYB9/H-T		54	11013368	996530006754	MILKCARAFFE BOARD V2 MYB9	
29	11012889	996530006568	BLACK DISPLAY SUPPORT MYB9/H-T		55	17000002	996530009555	BLACK CARAFE MICRO INSERT V2 MYB9	
30	129913202	996530013156	SCREW TCB TORX 10 3X8 PLAST.ZN-B		56	17000019	996530009566	SS CARAFE MICRO INSERT SPRING MYB9	
31	149450588	996530018311	65SH SILICONE BOILER SEALING VALVE		57	11013328	996530006745	BLACK CARAFFE BOARD COVER MYB9	
32	17000014	996530009564	BLACK CPU BOARD COVER V2 MYB9/H-T		58	17000045	996530009578	BLK PRESENCE CARAFE MICRO INSERT V2 MYB9	
					59	129913702	996530013162	SCREW TCB TORX10 2,5X8 PLAST.ZN-B	ID
					60	17800662	996530073867	2P.CONN.SENSOR REED DOOR V2 MYB9 UL ASSY	



PHILIPS

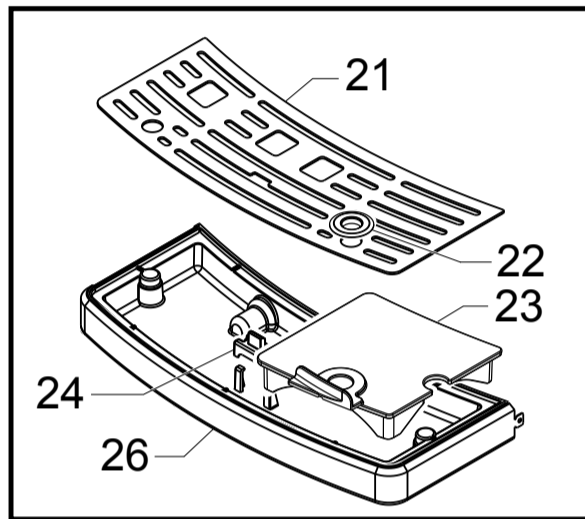
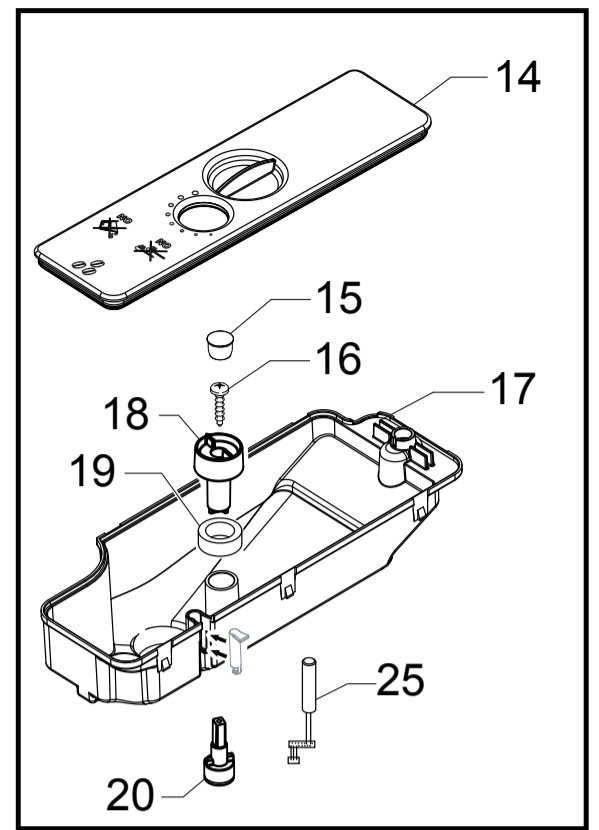
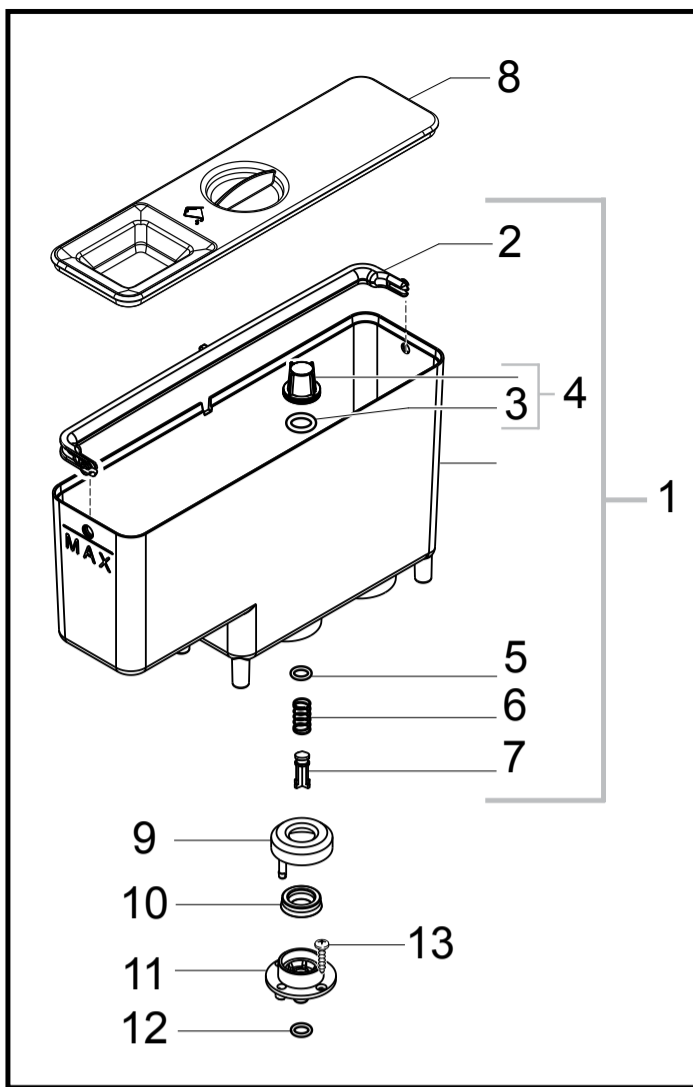
Saeco

HD8943/11-12-13-14-16-19-21-22-29
 HD8944/01-02-06-07-08-09-13-18-47
 HD8946/01-02-03-09-47



Cod.10003568-70-77-4163-3315-3569-71-73-72
 Cod.10003565-67-3312-11-13-3566-76-3807-86
 Cod.10003562-64-63-3928-3885

POS	CODE	12NC	DESCRIPTION	NOTE	POS	CODE	12NC	DESCRIPTION	NOTE
01	11027228	996530070234	CHROM.COFFEE DISPENSER V2 MYB9 ASSY. WITH PART. N° 02 - 03 - 04 - 05 - 06 - 07						
02	129570721	996530012907	SCREW TCB TORX 10 M3X8 AUTOFORMING SS						
03	11013001	996530006579	BLACK REAR COVER COFFEE DISPENSER MYB9						
04	17002177	996530073046	BLK COFFEE DISPENSER INNER BODY V3 MYB9						
05	11013085	996530006614	WHITE COFFEE DISPENSER SLIDER MYB9						
06	11013002	996530006581	BLACK COF.DISPENSER EXT.MOBILE PART MYB9						
07	11013222	996530006699	CHROM.FRONT COFFEE DISPENSER COVER MYB9						
	11027227	996530070327	CHROM.FRONT COFF.DISPENSER COVER V2 MYB9 UP TO S/N TU901121071040 FROM S/N TU901121071041						
08	11022128	996530007237	CHROM.CREAM ADJUSTMENT KNOB S/SCR.MYB9						
09	126772518	996530011711	SS COFF.CREAM ADJUSTMENT SHAFT SPRING						
10	11013324	996530006743	BLACK CREAM ADJUSTMENT KNOB RING MYB9						
11	140326661	996530013546	OR ORM 0040-20 BLACK EPDM						
12	140640200	996530013621	WHITE COFFEE CREAM ADJUSTMENT SHAFT						
13	11013323	996530006742	CHROM.COFFEE DISPENSER SUPPORT MYB9						
14	12000897	996530007953	SCREW TCB TORX 10 3,5X20 PLAST.SS						
15		421944057391	BLK COF.DISPENS.SEAL V2 MYB9						
16		421944043111	BLACK COFFEE DISPENSER TUBE V2 MYB9						
17	12000070	996530007732	OR ORM 0060-15 SILICONE						
18	12000450	996530007819	SCREW TCB TORX 10 3,5X12 PLAST.ZN-N						
19	149360200	996530018269	SILICONE TUBE 5X8 70SR IN ROLL						
20	-	421944002701	BLK DISPENSER COF.INLET CONNECT.V2 MYB9						
21	11012926	996530006575	BLACK COFFEE DISPENSER CONNECTOR MYB9						

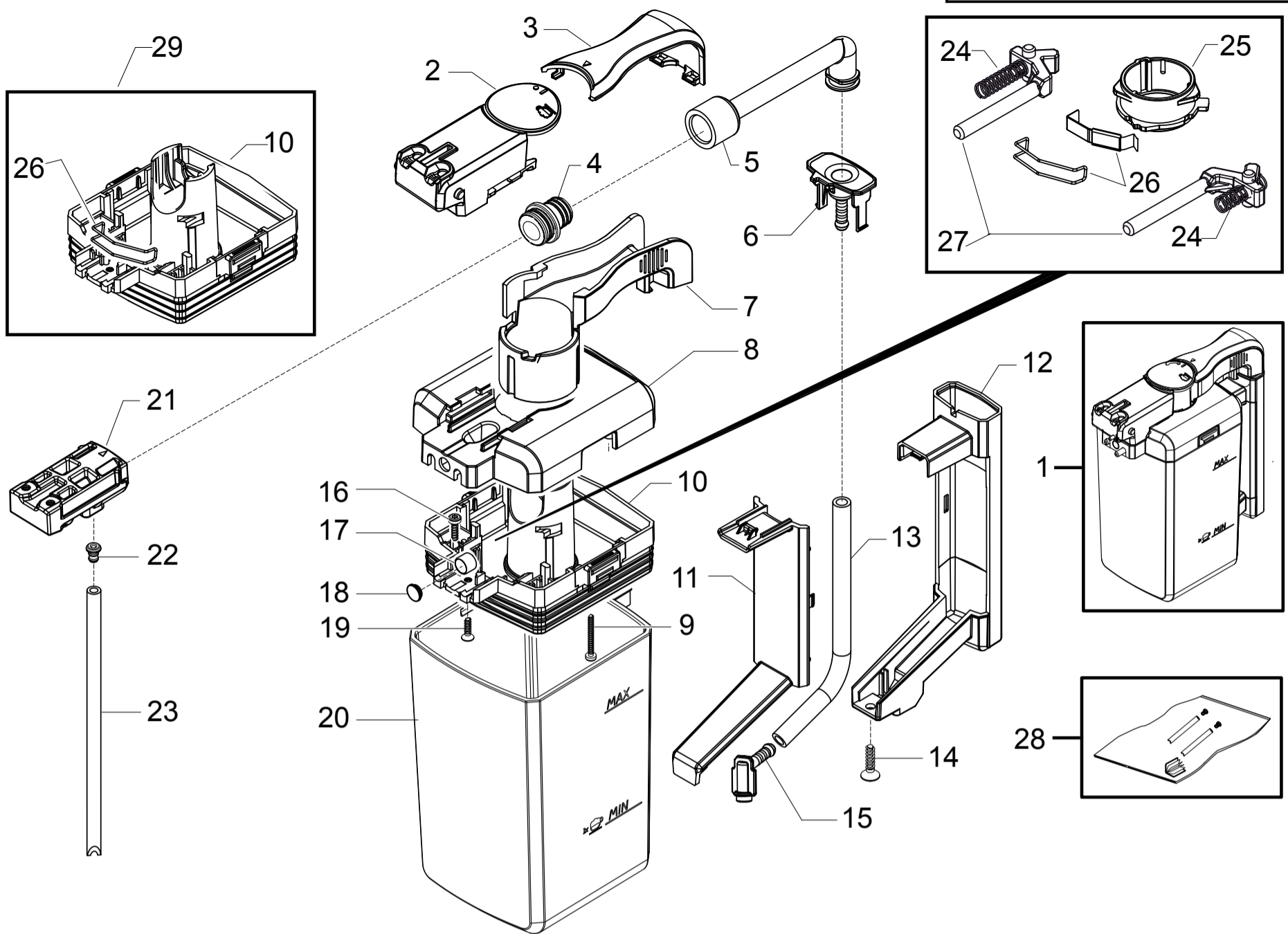


HD8943/11-12-13-14-16-19-21-22-29
 HD8944/01-02-06-07-08-09-13-18-47
 HD8946/01-02-03-09-47



Cod.10003568-70-77-4163-3315-3569-71-73-72
 Cod.10003565-67-3312-11-13-3566-76-3807-86
 Cod.10003562-64-63-3928-3885

POS	CODE	12NC	DESCRIPTION	NOTE	POS	CODE	12NC	DESCRIPTION	NOTE
01	11013212	996530006692	NAT/GREY WATER CONTAINER MYB9 ASSY.		26	11022389	996530007348	SM/SS-BLACK DRIP TRAY MYB9/T ASSY.	HD8946
02	11012738	996530006509	BLACK HANDLE WATER CONTAINER LID MYB9						
03	140328461	996530013571	OR ORM 0190-10 EPDM						
04	224640200	996530029115	WHITE WATER CONTAINER EXT.FILTER ASSY.						
05	140324362	996530013507	OR ORM 0060-30 SILICONE						
06	126764718	996530011626	SS WATER CONTAINER VALVE SPRING						
07	147660562	996530016894	GREY PISTON FOR WATER CONTAINER VALVE						
08	11012736	996530006507	NAT/GREY WATER CONTAINER LID MYB9						
09	0701.031.150	996530044417	GREY WATER VALVE GACO DIM 14 SEAL COVER						
10	145842900	996530015823	NBR WATER CONT.VALVE GACO DIM14 SEAL						
11	0701.014.150	996530044404	GREY WATER VALVE GACO DIM 14 SEAL CONT.						
12	140320461	996530013446	OR ORM 0080-20 TERMOIL						
13	129535721	996530012898	SCREW TSP TORX 10 AB 3,5X9,5 SHEET SS						
14	17000202	996530066734	NAT/GREY BEAN COFF.CONT.LID V2 MYB9 ASSY						
15	149213059	996530018116	GREY CAP FOR KNOBS BEAN CONTAINER						
16	129913902	996530013164	SCREW TCB TORX 10 3X12 PLAST.ZN-B						
17	17000194	996530066733	BLACK BEAN CONTAINER V2 MYB9						
18	11012852	996530006551	BLACK GRIND.ADJUSTMENT KNOB MBY9						
19	11022528	996530007398	GREY GRIND.ADJUSTMENT KNOB WASHER MYB9						
20	145897300	996530016123	BLK INSERT GRIND.ADJUSTMENT KNOB SMART1						
21	11022803	996530007445	SS DRIP TRAY GRATE V2 MYB9/H-P						
	11022385	996530007345	SS DRIP TRAY GRATE MYB9/T						
			HD8944/21-22 HD8946						
22	17000147	996530066732	BLACK GRATE SEAL V3 MYB9/H-P						
23	11022802	996530007444	BLACK DRIP TRAY COVER V2 MYB9/H-P						
	11022384	996530007344	BLACK DRIP TRAY COVER MYB9/T						
			HD8944/21-22 HD8946						
24	11005388	996530002866	RED FLOAT FOR DRIP TRAY P124						
	17000001	996530009554	RED FLOAT FOR DRIP TRAY MDS						
			HD8944/21-22 HD8946						
25	17800431	996530073364	5POLES CONNECTOR MC SENSORS V3 MYB9 UL						
26	11013214	996530006693	SB/SS-BLACK DRIP TRAY MYB9/H-P ASSY.						
			UP TO S/N TU901227104140						
	11025971	996530072666	SB/SS-BLACK DRIP TRAY MYB9/H-P ASSY.	HD8944					
			FROM S/N TU901227104141						
	11013281	996530006723	BLACK/BLACK DRIP TRAY MYB9/H-P ASSY.	HD8943/11-12-13-16-19					
	11013300	996530006734	WHITE/BLACK DRIP TRAY MYB9/H-P ASSY.	HD8943/14-21-22-29					

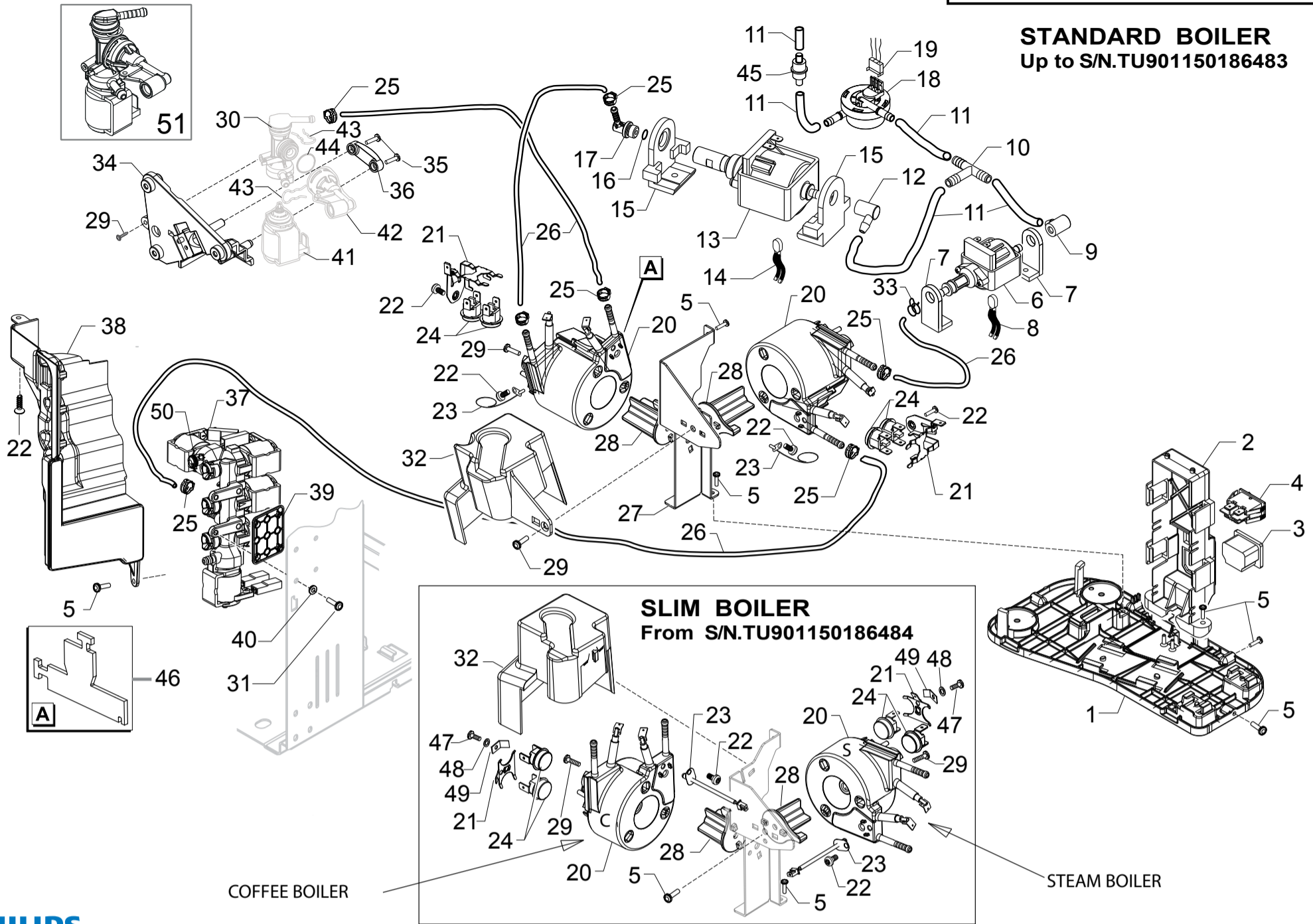


HD8943/11-12-13-14-16-19-21-22-29
 HD8944/01-02-06-07-08-09-13-18-47
 HD8946/01-02-03-09-47



Cod.10003568-70-77-4163-3315-3569-71-73-72
 Cod.10003565-67-3312-11-13-3566-76-3807-86
 Cod.10003562-64-63-3928-3885

POS	CODE	12NC	DESCRIPTION	NOTE	POS	CODE	12NC	DESCRIPTION	NOTE
01	11023077	996530067527	TRANSP/CHROM.GEN.CARAFE MYB9/MDS ASSY.						
02	11023235	996530007599	CHR.CARAFE CAPP.COVER V2 S/SC.MYB9 ASSY.						
03	11022498	996530007389	CHR.CARAFE UPPER DISPEN.SUPP.V2 S/S.MYB9						
04	11012812	996530006527	VENTURI TUBE FOR CAPPUCINATORE MYB9						
05	11012678	996530006463	BLACK CARAFE MILK DISPENSER TUBE MYB9						
06	11013163	996530006668	BLACK UPPER TUBE CARAFE CONNECT.MYB9						
07	11022496	996530007388	CHRO.CARAFE LOWER DISPENSER SUPP.V2 MYB9						
08	11030950	996530072575	MATT/BLACK UPPER COVER PART CARAFE MYB9						
09	12000550	996530007838	SCREW TCB TORX 10 3X25 PLAST.SS						
10	11021893	996530007192	BLACK LOWER COVER PART CARAFE MYB9 ASSY.						
	-	421944012821	BLK LOWER COVER PART CARAFE V2 MYB9 ASSY UP TO S/N 9013381627776 FROM S/N 9013381627777						
11	11013466	996530006784	CHROM.CARAFE REAR PART HANDLE MYB9						
12	11023158	996530007588	CHROM.CARAFE FRONT PART HANDLE V2 MYB9						
13	149360200	996530018269	SILICONE TUBE 5X8 70SR IN ROLL						
14	129911721	996530013137	SCREW TSP TORX 4X16 PLAST STEEL						
15	11013164	996530006669	BLACK LOWER TUBE CARAFE CONNECT.MYB9						
16	129910921	996530013128	SCREW TCB TORX 10 3X10 SS						
17	9161.111	996530050555	MAGNET FOR FLOAT SUPERAUT.						
18	11014016	996530006968	SS.INSERT FOR MAGNET MYB9						
19	12000895	996530007951	SCREW TSP TORX 10 3X10 PLAST.SS						
20	11024104	996530007705	TRANSP.CARAFE V3 S/SCREEN MYB9						
21	17000004	996530009557	BLK CARAFE CAPPUCIN.CASING W/CAPS MYB9						
22	11026779	996530067887	WHITE MILK TUBE CONNECTOR V2 MYB9						
23	11012814	996530067584	SILICONE TUBE 3,5X6 L=140 MM						
24	11013765	996530006849	STEEL SPRING FOR CARAFE LEVER MYB9						
25	11022522	996530007393	BLACK CAM FOR CARAFE LEVERS V2 MYB9						
26	11013832	996530006873	CARAFE SPRING WITH INSERT MYB9 ASSY. UP TO S/N 9013381627776 NOT AVAILABLE ORDER PART 29						
	-	421944007011	SS SPRING V2 FOR CARAFE MYB9 FROM S/N 9013381627777						
27	17000131	996530067459	BLACK LEVER FOR CARAFE CAM V3 MYB9						
28	11028534	996530070326	PSA MILK ACCESSORY PACK ASSY.						
29	-	421940813091	KIT SPARES LOW.COVER PART CARAFE V2 MYB9						

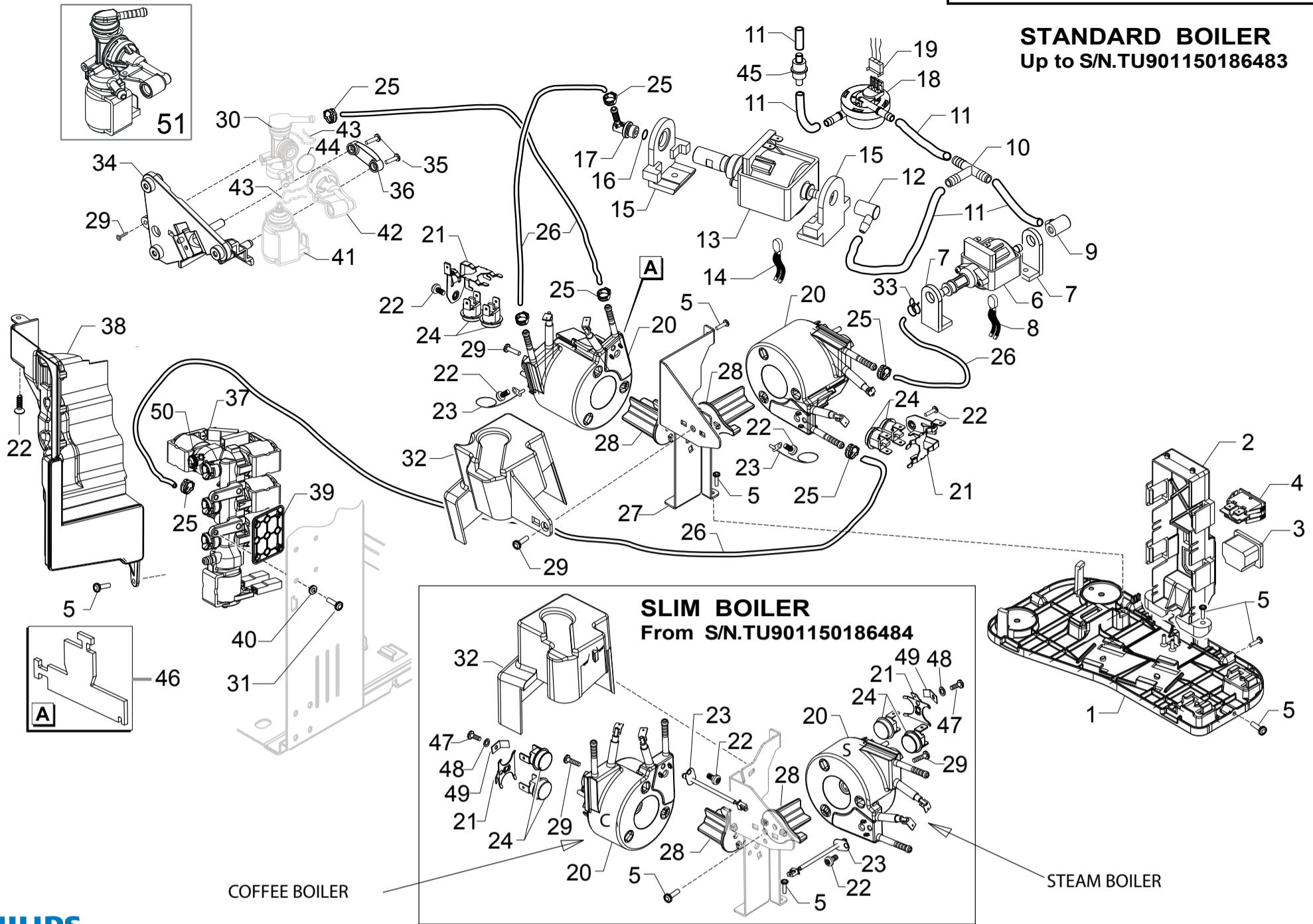


HD8943/11-12-13-14-16-19-21-22-29
 HD8944/01-02-06-07-08-09-13-18-47
 HD8946/01-02-03-09-47



Cod.10003568-70-77-4163-3315-3569-71-73-72
 Cod.10003565-67-3312-11-13-3566-76-3807-86
 Cod.10003562-64-63-3928-3885

POS	CODE	12NC	DESCRIPTION	NOTE	POS	CODE	12NC	DESCRIPTION	NOTE
01	11012205	996530006316	BLACK COMPONENTS SUPPORT MYB9		25	12000892	996530007947	OETIKER CLAMP D=9,5 16700004	
02	11012412	996530006399	BLACK SOCKET-SWITCH SUPPORT MYB9		26	16000380	996530009505	5X8,9 SILICONE TUBE IN ROLL	IN ROLL
	11023406	996530007626	BLACK SOCKET-SWITCH SUPPORT MYB9 UL	FOR 120V UL	27	17000143	9965300067888	STEEL SLIM TUB.BOILER SUPPORT MYB9	
03	12001883	996530072437	CUP SOCKET V3 EN 60320 C 13		28	11012214	996530006322	BLACK TUB.BOILERS SUPPORT MYB9	STD
	12001645	996530069782	CUP SOCKET V2 EN 60320 C 13	120V UL		11023282	996530007608	BLACK SLIM TUB.BOILERS SUPPORT MYB9	SLIM
04	NE03.038	996530058836	BIPOLAR SWITCH FUSIT C1250AR		29	12001280	996530008024	SCREW TSP TORX 10 5X20 PLAST.ZN-B	STD
05	12000450	996530007819	SCREW TCBR TORX 10 3,5X12 PLAST.ZN-N			12001369	996530008039	SCREW TSP TORX 10 5X35 PLAST.SS	SLIM
06	12001212	996530008003	ULKA PUMP MF 230V-50HZ	230V-50HZ	30		NOT AVAILABLE	SEE POS 51	
	12001346	996530008028	ULKA PUMP MF 120V-60HZ	120V-60HZ	31	129914302	996530013168	SCREW TORX M4X10 TESTA D=8X1,5 GALV	
	12001348	996530008031	ULKA PUMP MF 220V-50/60HZ	220V-50/60HZ	32	11022428	996530007366	BLK COF.BOILER INSULATING COVER MYB9/H-T	STD
07	11012194	996530006315	BLACK/SBR ULKA MF PUMP SUPPORT			17000042	996530067913	BLK COFF.BOILER INSULATING COVER MYB9/P	SLIM
08	11013116	996530006631	2POLES CONNECTOR STEAM PUMP MYB9 UL		33	184320200	996530025907	SPRING HOSE CLAMP D=9,5MM	
09	11012193	996530006314	90° INLET CONNECTOR FOR PUMP ULKA MF		34	11012206	996530006317	BLACK BLOWDOWN VALVE SUPPORT MYB9	
10	147920300	996530017351	TRANS.CONNECTOR D=8 ART.80.26.047 KA.461		35	129913902	996530013164	SCREW TCB TORX 10 3X12 PLAST.ZN-B	
11	JS01.022	996530057357	SILICONE TUBE 5X10 60SH IN ROLL		36	11013711	996530006834	BLACK VALVE FIXING FLANGE MYB9	
12	147920150	996530017348	90° INLET PUMP CONNECTOR		37	11013165	996530006671	DIFFUSER VALVE MYB9 ASSY.	
13		421941305991	ULKA PUMP EP5FMGW 230V-50HZ	230V-50HZ	38	11013528	996530006802	BLACK DIFFUSER PROTECT.VALVE MYB9 ASSY.	
		12000142	ULKA PUMP EAP5/S 120V-60HZ	120V-60HZ	39	11021841	996530007157	SOLENOID VALVE CONNECT.INSUL.PLATE MYB9	
		12000182	ULKA PUMP EP5/S GW 220V-60HZ	220V-60HZ	40	11021842	996530007158	SOLENOID VALVE CONNECT.INSUL.WASHER MYB9	
14	11013076	996530006607	2POLES CONNECTOR COFFEE PUMP MYB9 UL		41		NOT AVAILABLE	SEE POS 51	
15	11022857	996530007468	BLACK PUMP SUPPORT GMYB		42		NOT AVAILABLE	SEE POS 51	
16	140321961	996530013471	O-RING 2031 TERMOIL		43		NOT AVAILABLE	SEE POS 51	
17	11001054	996530000624	BLK PUMP OUTLET 90°CONNECTOR P0049/B		44		NOT AVAILABLE	SEE POS 51	
18	12000781	996530007887	TURBINE D=1,2 932-8521/90 ASSY.		45	144650300	996530015428	ASPIRATION FILTER GAUZE NET 500 (NEW)	
19	11013122	996530006635	6POLES CONNECTOR FLOWMETER MYB9 UL		46	11021450	996530007104	TUB.BOILER STD C1 INSULATING	
20	11011341	996530006025	V4 TUB.BOILER 1300W 230V ASSY.	STD	47	129573402	996530012923	SCREW TAPT M4X10 DIN 7985 GALV	SLIM
	11011342	996530006026	V4 TUB.BOILER 1300W 120V ASSY.	STD	48	128310402	996530012341	GALV.WASHER UNI 8842 A4	SLIM
	11013735	996530006841	SLIM TUB.BOILER 1300W 230V ASSY.	SLIM	49	124390520	996530011326	BRASS BENT FASTON 45° 6,3X0,8	SLIM
	11023153	996530007586	SLIM TUB.BOILER 1300W 120V ASSY.	SLIM	50	11013825	996530006868	BLACK MILK-AIR FLOW SELECTOR MYB9	
21	11010164	996530005641	TUB.BOILER V6 SIDE THERMOS.FIXING SPRING	STD	51		421944039871	BLOWDOWN VALVE V3 MYB9 230V ASSY.	230V
	11001751	996530000997	TUB.BOILER V3 UPPER THERM.FIXING SPRING	SLIM			421944039911	BLOWDOWN VALVE V3 MYB9 120V ASSY.	120V
22	12001715	996530069758	SCREW TCB TORX 20 M4X8 AUTOFORMING ZN-B				421944039931	BLOWDOWN VALVE V3 MYB9 220V-60HZ ASSY	220V
23	190800100	996530026997	TEMPERATURE SENSOR NTC UL L=280MM						
24	12001034	996530007974	THERMOSTAT ONE SHOT 175°	STD		11009776	996530005509	TUB.BOILER STD C1 1300W 230V ASSY.	230V 1300W
	12001033	996530007973	THERMOSTAT ONE SHOT 190°	SLIM				WITH PART. N° 20-21-22-23-24	
	-	421940812991	KIT SPARES COFFEE BOILER THERMOSTATS	COFFEE BOILER		11009778	996530005511	TUB.BOILER STD C1 1300W 120V ASSY.	120V 1300W
	-	421940813001	KIT SPARES STEAM BOILER THERMOSTATS	STEAM BOILER				WITH PART. N° 20-21-22-23-24	
	-		UP TO S/N TU901318072649						
	-		FROM S/N TU901318072650						
	-		FROM S/N TU901318072650						

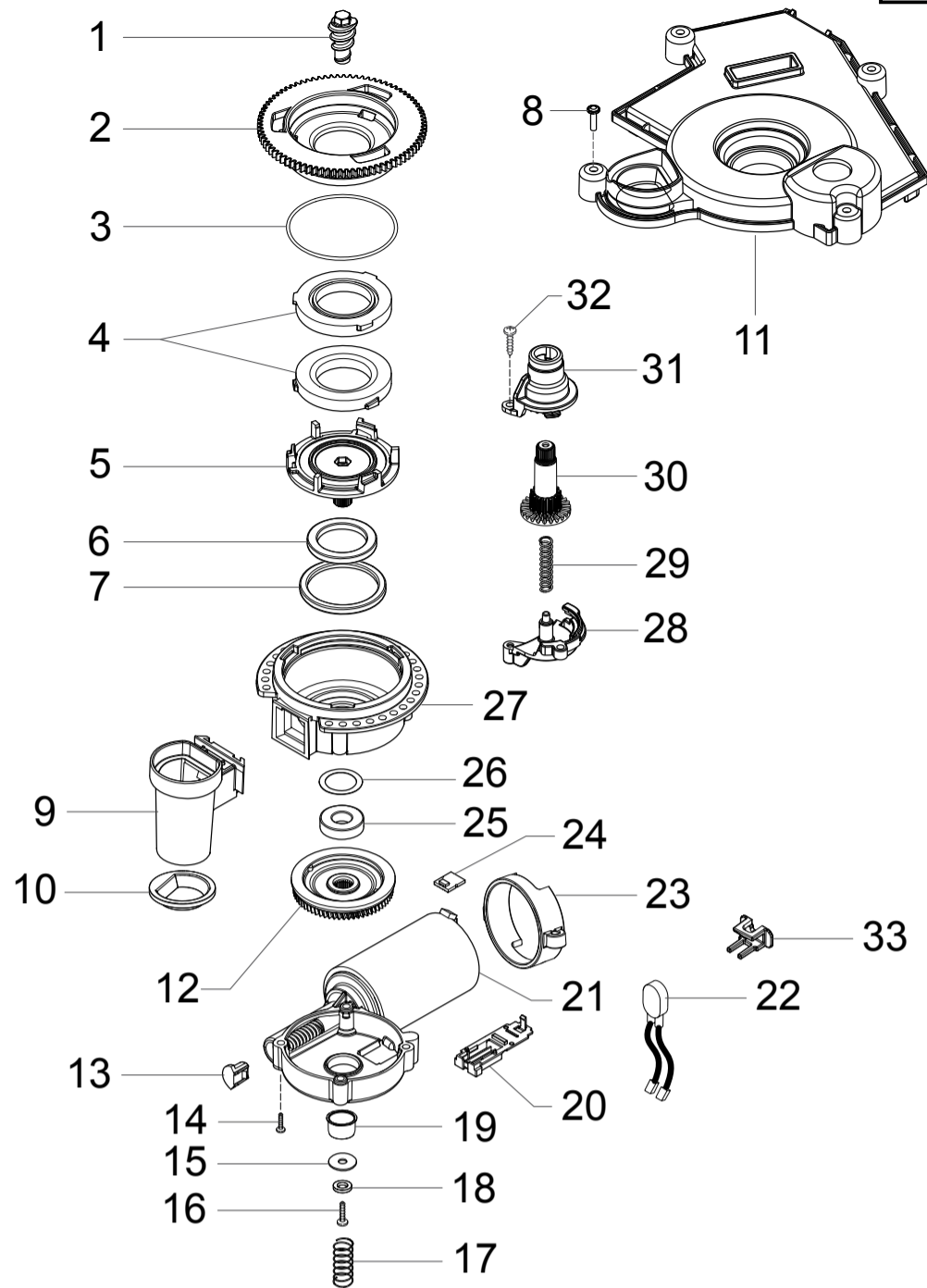


HD8943/11-12-13-14-16-19-21-22-29
 HD8944/01-02-06-07-08-09-13-18-47
 HD8946/01-02-03-09-47



Cod.10003568-70-77-4163-3315-3569-71-73-72
 Cod.10003565-67-3312-11-13-3566-76-3807-86
 Cod.10003562-64-63-3928-3885

POS	CODE	12NC	DESCRIPTION	NOTE	POS	CODE	12NC	DESCRIPTION	NOTE
	11026313	996530067955	SLIM TUB.BOIL.C2 T190°-190°1300W 230V AS WITH PART. 20-21-22-23-24-47-48-49 UP TO S/N TU901318072649	230V-1300W					
	-	421941302131	SLIM TUB.BOIL.C2 T150-204 1300W 230V AS WITH PART. 20-21-22-23-24-47-48-49 FROM S/N TU901318072650	COFFEE BOILER					
	-	421941302101	SLIM TUB.BOIL.C2 T170-204 1300W 230V AS WITH PART. 20-21-22-23-24-47-48-49 FROM S/N TU901318072650	STEAM BOILER					
	11026314	996530069915	SLIM TUB.BOIL.C2 T190°-190°1300W 120V AS WITH PART. 20-21-22-23-24-47-48-49 UP TO S/N TU901318072649	120V 1300W					
	-	421941302141	SLIM TUB.BOIL.C2 T150-204 1300W 120V AS WITH PART. 20-21-22-23-24-47-48-49 FROM S/N TU901318072650	COFFEE BOILER					
	-	421941302111	SLIM TUB.BOIL.C2 T170-204 1300W 120V AS WITH PART. 20-21-22-23-24-47-48-49 FROM S/N TU901318072650	STEAM BOILER					



PHILIPS

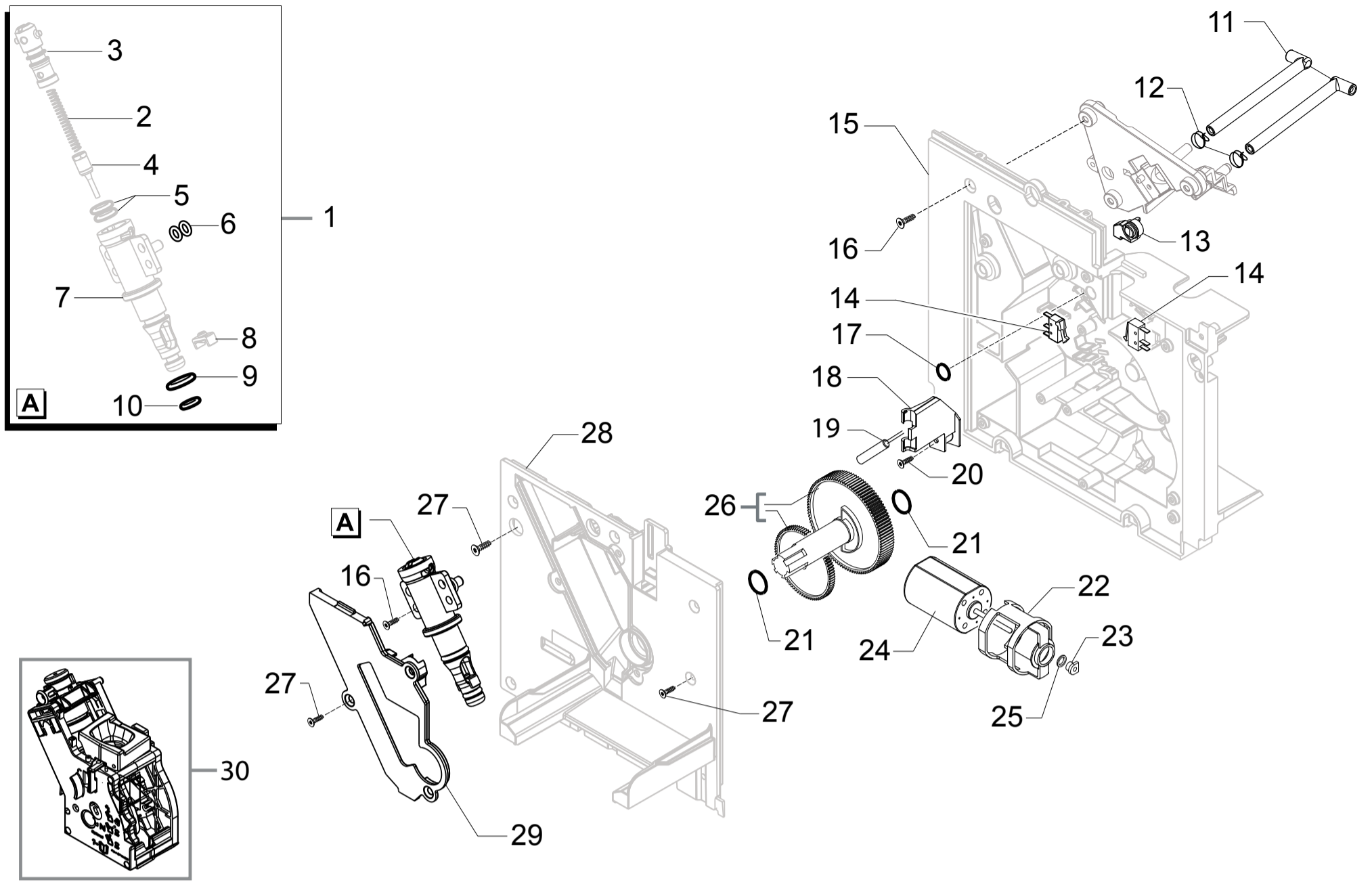
Saeco

HD8943/11-12-13-14-16-19-21-22-29
 HD8944/01-02-06-07-08-09-13-18-47
 HD8946/01-02-03-09-47



Cod.10003568-70-77-4163-3315-3569-71-73-72
 Cod.10003565-67-3312-11-13-3566-76-3807-86
 Cod.10003562-64-63-3928-3885

POS	CODE	12NC	DESCRIPTION	NOTE	POS	CODE	12NC	DESCRIPTION	NOTE
01	11011205	996530005991	TEA ZAMA INCREASE SCREW GRINDER						
02	-	421941094152	BLK COF.GRINDER UPPER GRINDER SUPPORT V2						
03	140328960	996530013577	OR ORM 0530-15 NBR FDA						
04	146520100	996530016342	BAKED CLAY GRINDER 48X28						
05	149198350	996530017952	BLK LOWER COFFEEGRINDER GRINDER SUPPORT						
06	123030300	996530011183	AXIAL BEARING EKKO 342.35252						
07	140360500	996530013597	FELT RING 45,4X39,4X4						
08	12000450	996530007819	SCREW TCB TORX 10 3,5X12 PLAST.ZN-N						
09	11026355	996530068049	BLK GROUND COFF.OUTLET CONVEYOR V4 ASSY.						
10	11030459	996530072511	GRY GROUND COFFEE CONT.LOWER SEAL SMART1						
11	11012856	996530006555	COFFEE GRINDER SOUNDPROOFING COVER MYB9						
12	226000300	996530029609	GEAR SX Z=38 FOR GRINDER MOTION ASSY.						
13	149214800	996530018139	MC V3 MOD=1,25 WORM SCREW CENTRING CAP						
14	129661702	996530012992	SCREW TCB TORX 3,5X30 PLAST.ZN-B						
15	128381902	996530012375	STEEL FLAT WASHER DI=4,3 DE=14 SP=1,5						
16	129574802	996530012928	SCREW TCB TORX 20 M4X30 ZN-B						
17	11000597	996530000376	COFFEE GRINDER SUPPORT SPRING P124						
18	128310402	996530012341	GALV.WASHER UNI 8842 A4						
19	11002873	996530001389	INSULATOR BUSH FOR GRINDER MOTOR P124						
20	149199050	996530017963	BLK SENSOR SUPPORT FOR COF.GRINDER MOTOR						
21	11000513	996530000317	MOTOR COFFEEGRINDER V3.1 230V ASSY.	230V					
	11000511	996530000315	MOTOR COFFEEGRINDER V3.1 120V ASSY.	120V					
22	11013079	996530006611	2POLES CONNECTOR GRINDER MOTOR MYB9 UL						
23	11000194	996530000115	BLACK COFFEEGRINDER MOTOR SUPPORT P124						
24	181540900	996530022784	ELECTR.BOARD WITH SENSOR HAL506 SF-K						
25	123030200	996530011182	RADIAL BEARING 61900.2RS1						
26	128381800	996530012374	STEEL CRINKLE WASHER 21,8X14X0,25						
27	142905450	996530015258	BLK UPPER BODY WITH COFFEE GROUND OUTLET						
28	149199850	996530017976	LOWER GEAR SUPPORT COFFEEGRINDER SMART						
29	126772918	996530011715	SPRING FOR ADJUSTMENT GRINDING GEAR						
30	146002150	996530016264	COFFEE GRINDING ADJUSTMENT GEAR SMART						
31	149199750	996530017975	UPPER GEAR SUPPORT COFFEEGRINDER SMART						
32	129914002	996530013165	SCREW TCB TORX 10 3,5X16 PLAST.ZN-B						
33	17001921	996530072477	BLK WIRING FIX INSERT FOR GRINDER BOARD						
	11013147	996530006652	GEN.MOTOR COFFEE GRINDER MYB9 230V ASSY.	230V					
	11022036	996530007214	GEN.MOTOR COFFEE GRINDER MYB9 120V ASSY.	120V					

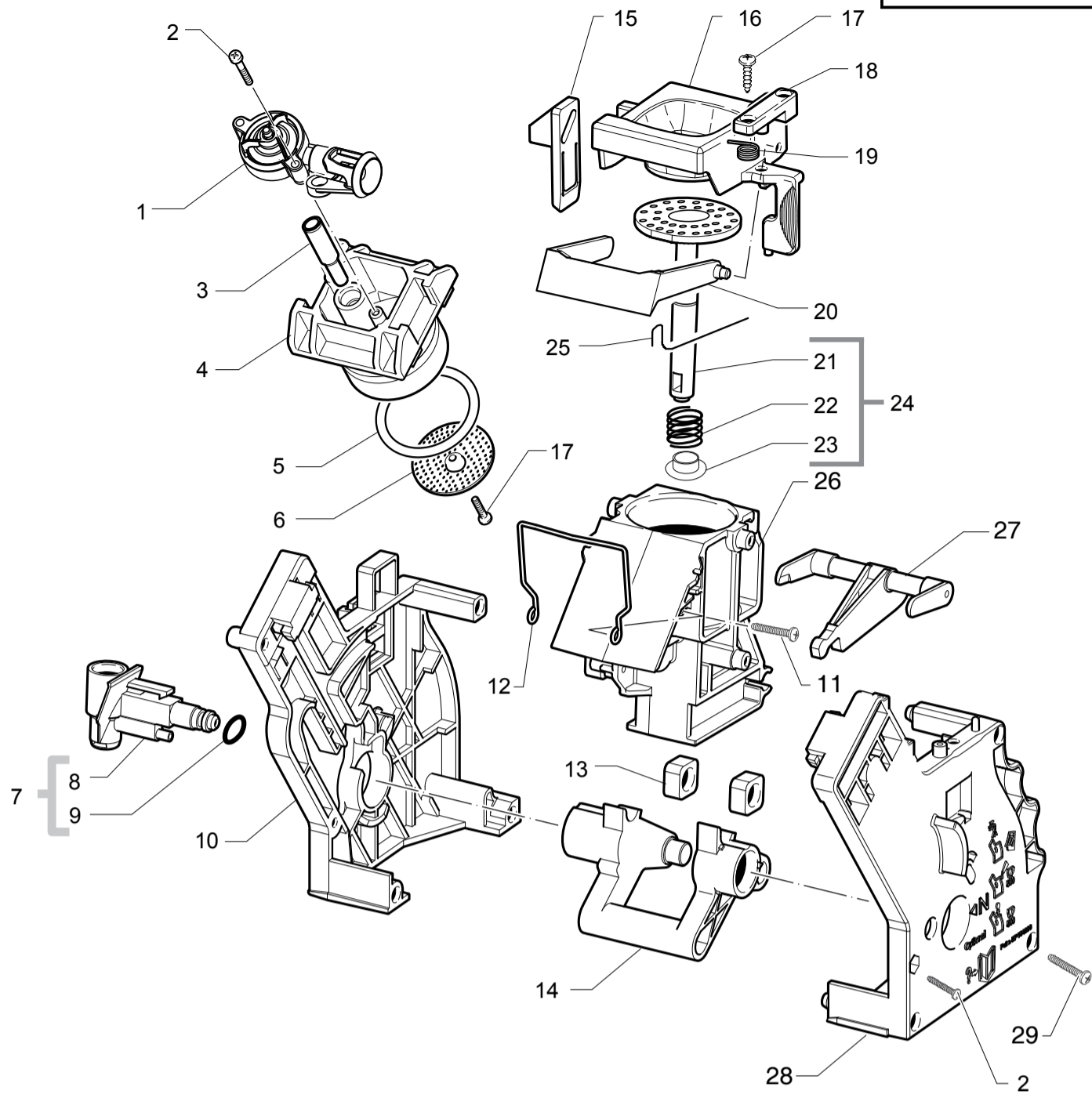


HD8943/11-12-13-14-16-19-21-22-29
 HD8944/01-02-06-07-08-09-13-18-47
 HD8946/01-02-03-09-47



Cod.10003568-70-77-4163-3315-3569-71-73-72
 Cod.10003565-67-3312-11-13-3566-76-3807-86
 Cod.10003562-64-63-3928-3885

POS	CODE	12NC	DESCRIPTION	NOTE	POS	CODE	12NC	DESCRIPTION	NOTE
01	11005060	996530002717	PIN V2 FOR BOILER P119 ASSY.						
02		NOT AVAILABLE							
03		NOT AVAILABLE							
04		NOT AVAILABLE							
05		NOT AVAILABLE							
06	140328059	996530013564	OR 2015 SILICONE PTFE/FDA						
07		NOT AVAILABLE							
08		NOT AVAILABLE							
09	NM01.035	996530059399	OR ORM 0090-20 SILICONE						
10	NM01.057	996530059419	OR ORM 0050-20 IN SILICONE						
11	11012337	996530006375	WATER DRAIN CONNECTOR MYB9						
12	NV99.087	996530059836	BAND D=11/11,6						
13	11013514	996530006796	BLACK MOUNTING PLATE COVER SEAL MYB9						
14	NE05.038	996530058869	MICROSWITCH SAIA XCG5-81-P5						
14	12001841	996530073474	MICROSWITCH XC/V4D						
15		NOT AVAILABLE							
16	12000450	996530007819	SCREW TCB TORX 10 3,5X12 PLAST.ZN-N						
17	140325462	996530013526	OR ORM 0070-20 SILICONE						
18	11012976	996530006577	BLACK SENSOR SUPPORT MYB9 UP TO S/N TU901236137717						
19	11003661	996530001819	REED SENSOR MK3-1A66-BV16451						
20	129913902	996530013164	SCREW TCB TORX 10 3X12 PLAST.ZN-B UP TO S/N TU901236137717						
21	9161.132	996530050569	MYLAR WASHER FOR RATIOMOTOR						
22	9121.044	996530049896	ANTIVIBRATION FOR MOTOR						
23	9121.046	996530049898	BRONZE SINTERED BUSH FOR MOTOR RATIOMOT.						
24	11005214	996530002796	MOTOR FOR RATIOMOTOR P124 ASSY.						
25	148380200	996530017424	BAKELIZZATE WASHER D=5,5						
26	20000900	996530009913	SPARES KIT GEARS FOR RATIOMOTOR V2						
27		421944016781	SCREW TSP TORX 10 3,5X14 PLAST.ZN-NI						
28		NOT AVAILABLE							
29	142856550	996530015064	BLACK COVER FOR BOILER VAIN P119						
30		421944059501	BLK/YLW BREW UNIT 8GR.SBS V3 MYB9						



PHILIPS

Saeco

HD8943/11-12-13-14-16-19-21-22-29
 HD8944/01-02-06-07-08-09-13-18-47
 HD8946/01-02-03-09-47



Cod.10003568-70-77-4163-3315-3569-71-73-72
 Cod.10003565-67-3312-11-13-3566-76-3807-86
 Cod.10003562-64-63-3928-3885

POS	CODE	12NC	DESCRIPTION	NOTE	POS	CODE	12NC	DESCRIPTION	NOTE
01	11002154	996530001192	SBS VALVE P124 ASSY.						
02	12000550	996530007838	SCREW TCB TORX 10 3X25 PLAST.SS						
03	11009276	996530005372	BLK COUNTER PISTON TUBE BREW UNIT S0053						
04	11001840	996530001046	BLACK COUNTER PISTON BREW UNIT 8GR.P124						
05	NM01.044	996530059406	OR ORM 0320-40 SILICONE PTFE/FDA						
06	9161.268	996530050709	PERCOLATOR DE=35,8 ELFO						
07	20000440	996530009825	BLACK WATER INLET SLEEVE BREW UNIT ASSY.						
08	9161.064.050	996530050488	BLACK WATER INLET SLEEVE BREW UNIT ROYAL						
09	NM02.007	996530059441	OR 2025 IN TERMOIL						
10	9161.375.050	996530050832	BLACK BREW UNIT REAR PLATE SMART						
11	129912521	996530013148	SCREW TCB TORX 10 3,5X14 PLAST.SS						
12	11001556	996530000898	SS BREW UNIT SPRING H=49 SMART						
13	9161.094.050	996530050539	BLACK BREW UNIT DRILLED BLOCK						
14		421944051231	YLW BREW UNIT ELBOW SHAFT M5000						
15		421944046931	YLW BREW UNIT COUPLING PLATE V2 SMART						
16	149261350	996530018241	BLACK HOPPER DOSER BREW UNIT SMART1						
17	12000895	996530007951	SCREW TSP TORX 10 3X10 PLAST.SS						
18		421944050711	YLW BREWUNIT HOPPER BLOCKING PLATE SMART						
19	9161.378	996530050838	SS HOPPER SPRING FOR BREW UNIT SMART						
20	11004161	996530002096	BLACK SCRAPER FOR BREW UNIT M5000						
21		421944025621	BLK BREW UNIT INTEGR.PISTON 8GR.V3 ASSY.						
22	9161.198	996530050627	SS.8GR.BREW UNIT PISTON SPRING						
23	9161.191	996530050618	WHITE 8GR.-12GR.BREW UNIT PISTON BUSH						
24		421944029791	BLK BREW UNIT 8GR.INT.PISTON GEN.V3 ASSY						
25	9161.046	996530050455	SS SCRAPER SPRING FOR BREW UNIT						
26		421944014611	BLK COF.CONTAIN.BREW UNIT V2 M5000 ASSY.						
27	11003078	996530001452	BLACK CONNECTING ROD BREW UNIT 8GR.						
28	11005920	996530003228	BLACK BREW UNIT FRONT PLATE S/SCR.SMART						
29	12000897	996530007953	SCREW TCB TORX 10 3,5X20 PLAST.SS						
		421944059501	BLK/YLW BREW UNIT 8GR.SBS V3 MYB9						