

**Saeco** INTERNATIONAL GROUP

**SUP0310**

RI9752/01/02/05/31/32/41/43/48



Cod.10002746-40-2855-3074-75-2796-97-99

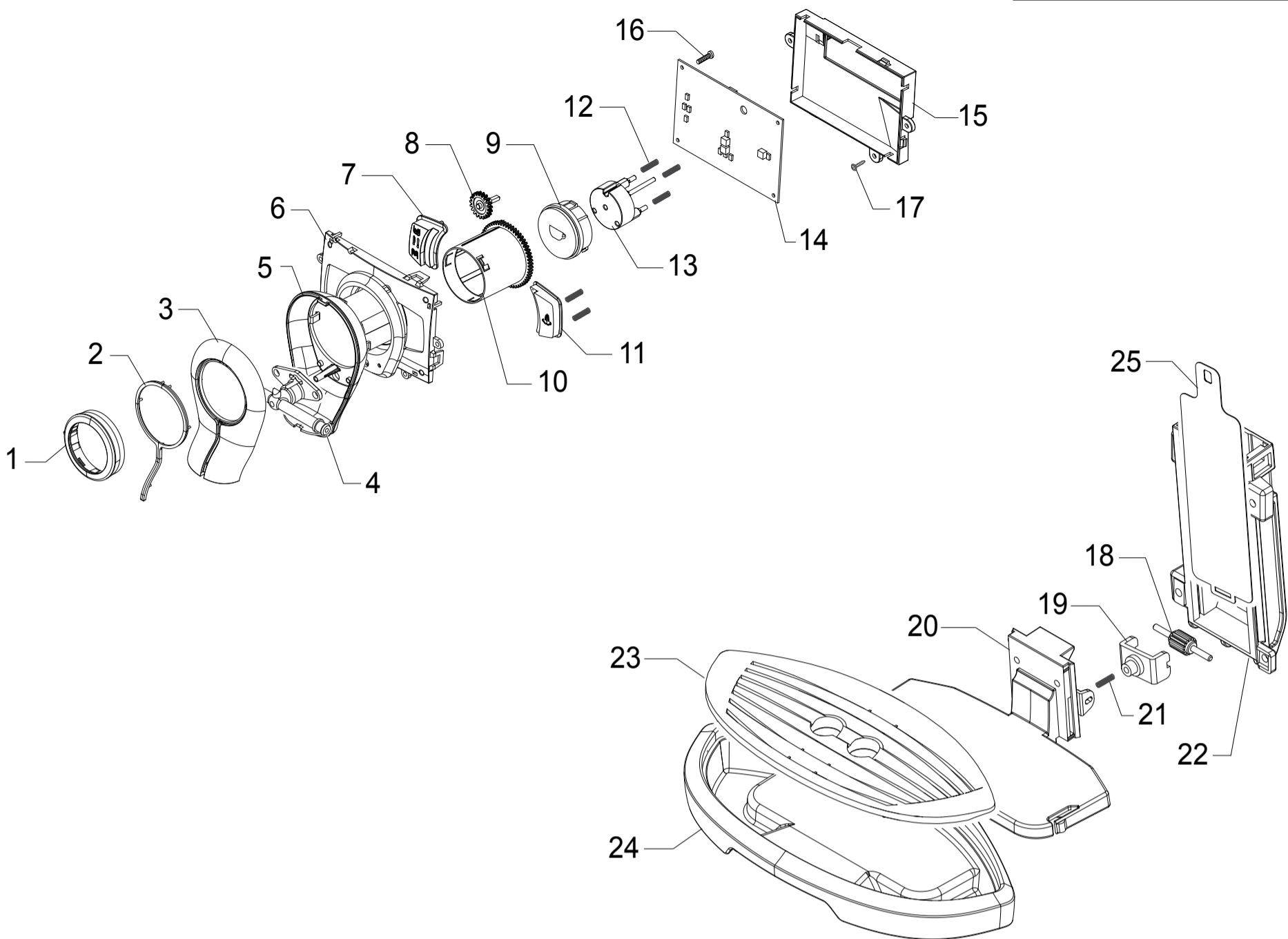
Cod.10002798-2804-56-57-79-10002900-29-38

POS	CODE	12NC	DESCRIPTION	NOTE	POS	CODE	12NC	DESCRIPTION	NOTE
01	15003342	996530073346	MANUAL V6 SAE SUP0310 P0049/A NL/PL			11010711	996530005856	GLOSS/URBAN LEFT SIDE CASING P0049	
	15003336	996530073344	MANUAL V6 SAE SUP0310 P0049/A D/I			11010670	996530005829	VANILLA LEFT SIDE CASING P0049	
	15003337	996530073343	MANUAL V6 SAE SUP0310 P0049/A GB/F			11004390	996530002269	TITANIO LEFT SIDE CASING P0049	
	15003338	996530073342	MANUAL V6 SAE SUP0310 P0049/A E/P		24	11003533	996530001717	BLACK DUMP BOX P0049 ASSY.	
	15002185	996530009423	MANUAL V4 SAE SUP0310 P0049/A GB/CHN		25	11030323	996530072779	GLOSS/URBAN COFF.UNIT DRIP TRAY V2 P0049	
	15002187	996530009424	MANUAL V4 SAE SUP0310 P0049/A GB/KOR		25	11030327	996530072642	TITANIO COFFEE UNIT DRIP TRAY V2 P0049	
	15002313	996530070248	MANUAL V4 SAE SUP0310 P0049/A GB/P			11030318	996530072646	CARBONA COFFEE UNIT DRIP TRAY V2 P0049	
02	11003889	996530001955	2POLES CONNECT.SENSOR REED DOOR P0049 UL			11030315	996530072784	VANILLA COFFEE UNIT DRIP TRAY V2 P0049	
03	11003785	996530001908	BLACK GRINDER ADJUSTMENT KEY P0049		26	12001883	996530072437	CUP SOCKET V3 EN 60320 C 13	
04		421946001591	BLK POWER CABLE SCHUKO L=800		27	11007060	996530004022	GENERAL SWITCH P124	
	183930650	996530025858	POWER CABLE CH BLACK 3X1 H05VV-F L=1200		28	11004591	996530002433	CARBONA WATER TANK OUTLET COVER P0049	
	183921950	996530025843	POWER CABLE SJT3 USA BLACK UL L=1200			11010716	996530005861	GLOSS/URB.WATER TANK OUTLET COVER P0049	
	183940650	996530025872	BLACK POWER CABLE AUSTRALIA L=1200			11010692	996530005844	VANILLA WATER TANK OUTLET COVER P0049	
	183980650	996530025894	BLACK POWER CABLE JAPPON VCTF L=1200MM			11004393	996530002273	TITANIO WATER TANK OUTLET COVER P0049	
	17800019	996530009627	BLACK POWER CABLE BRAZIL L=1200	220V	29	11011355	996530006035	TRANSP.BEAN CONTAINER V2 P0049	
	11004246	996530002166	BLACK POWER CABLE TAIWAN HVCTF L=1200		30	11001762	996530001005	NAT/GREY BEAN COFFEE CONT.LID P0049 ASSY	
	11004247	996530002167	BLACK POWER CABLE RVV 3X1 CHINA L=1200		31	11009191	996530005331	BLACK POWER BOARD PROTECTION V2 P0049	
	11001985	996530001089	BLACK POWER CABLE KOREA L=1200		32	11022788	996530007441	PWR BOARD V2 P0053	230V
	17800330	996530069926	BLACK POWER CABLE BRAZIL L=1200	127V		11029201	996530073291	POWER BOARD SB P0049 230V	
05			PARTICULAR NOT AVAILABLE	SEE PART.N°50				FROM S/N. TW901249599456	
06			PARTICULAR NOT AVAILABLE	SEE PART.N°50				UP TO S/N. TW901249599456	
07			PARTICULAR NOT AVAILABLE	SEE PART.N°50				POWER BOARD SB P0049 230V	
08	11001746	996530000992	NAT/GREY WATER CONTAINER P0049 ASSY.					FROM S/N. TW901249599457	
09	224640200	996530029115	WHITE WATER CONTAINER EXT.FILTER ASSY.	WITH PART.N°10	33	9161.111	996530005055	PWR BOARD P0049/P0053	100V-120V
10	140328461	996530013571	OR ORM 0190-10 EPDM		34	11008956	996530005133	MAGNET FOR FLOAT SUPERAUT.	
11	11003672	996530001831	SS SPRING FOR WATER CONTAIN.VALVE P0049		35	11001340	996530000764	SS DOOR LOCK SPRING G0053	
12	11003673	996530001832	GREY WATER CONTAINER VALVE INSERT P0049		36	11004578	996530002425	BLACK DOOR PIN P0049	
13	11003671	996530001829	TRANSP.VALVE FOR WATER CONTAINER P0049			11010715	996530005859	CARBONA DOOR P0049	
14	11001298	996530000733	BLACK LID FOR DUCKBILL VALVE P0049			11010715	996530005859	G/URBAN DOOR P0049	
15	11001308	996530000744	NAT/GREY WATER CONTAINER LID P0049			11010691	996530005843	VANILLA DOOR P0049	
16	11030061	996530072442	MOUNTING PLATE W/PIN V3 P0049 ASSY.		37	11004391	996530002271	TITANIO DOOR P0049	
	11030062	996530072441	MOUNTING PLATE W/PIN V3 P0049 UL ASSY.			11001091	996530000642	BLACK DOOR INSIDE COVER P0049	
17	11000223	996530000126	BLACK WHEEL FOR CASING BOTTOM P124			11009283	996530005374	BLACK INSIDE COVER DOOR P0049 UL	
18	11030679	996530073419	SPEC.CASING COVER V4 S/SCR.ODEA GO P0049		38	11004592	996530002434	CARBONA ON-OFF BUTTON INSERT P0049	
	11030148	996530073418	WHT CASING COVER V4 S/SCR.ODEA GO P0049			11010712	996530005857	GLOSS/URBAN ON-OFF BUTTON INSERT P0049	
	11030744	996530073421	SPEC.CASING COV.V4 S/S.ODEA SPORTY P0049			11010671	996530005831	INS.TASTO ON-OFF P0049 VANILLA	
19	11010717	996530005862	SPECCHIATO WATER-STEAM KNOB P0049			11004055	996530002004	TITANIO ON-OFF BUTTON INSERT P0049	
	11010693	996530005845	CHROM.WATER-STEAM KNOB P0049		39	11011129	996530005982	SPECCHIATO ON-OFF SWITCH BUTTON P0049	
20	11004142	996530002084	SILVER PLATE LOGO SAECO NEW P0049/P0053		40	129913202	996530013156	SCREW TCB TORX 10 3X8 PLAST.ZN-B	
			UP TO S/N TW901248583301		41	11001339	996530000763	TRANSP.INFRAREDS PLATE P0049	
21	11004907	996530002601	BLACK PLATE WITH LOGO ODEA P0049 GO		42	NF11.084	996530059199	PHOSPH/STEEL FOLK SPRING	
	11012236	996530006333	BLACK PLATE WITH LOGO ODEA P0049 SPORTY		43	11001624	996530000929	BLACK STEAM TUBE WASHER P0049	
			UP TO S/N TW901248583301		44	11005287	996530002822	BLACK STEAM KNOB BUSH P0053	
22	11004575	996530002423	CARBONA RIGHT SIDE CASING P0049		45	421941155132	421941155132	BLK REED SENSOR SUPPORT V2 P0049	
	11010710	996530005855	GLOSS/URBAN RIGHT SIDE CASING P0049		46	421946017941	421946017941	KLUBERLUB NH1 11-222 TUBE 5GR.	
	11010667	996530005826	VANILLA RIGHT SIDE CASING P0049		47	129661702	996530012992	SCREW TCB TORX 3,5X30 PLAST.ZN-B	
	11004389	996530002268	TITANIO RIGHT SIDE CASING P0049		48	11006567	996530003666	LOWER INSULATE SHEET PWR ELE.BOARD P0053	(ONLY 120V)
23	11004576	996530002424	CARBONA LEFT SIDE CASING P0049		49	11007234	996530004168	UPPER INSULATE SHEET PWR ELE.BOARD P0053	(ONLY 120V)
					50	20006675	996530010234	KIT SPARES FOR PACKAGING V3 P0049	

**Saeco** INTERNATIONAL GROUP

ODEA GO V2

TABLE 1/7



**Saeco** SUP031O  
INTERNATIONAL GROUP

RI9752/01/02/05/31/32/41/43/48

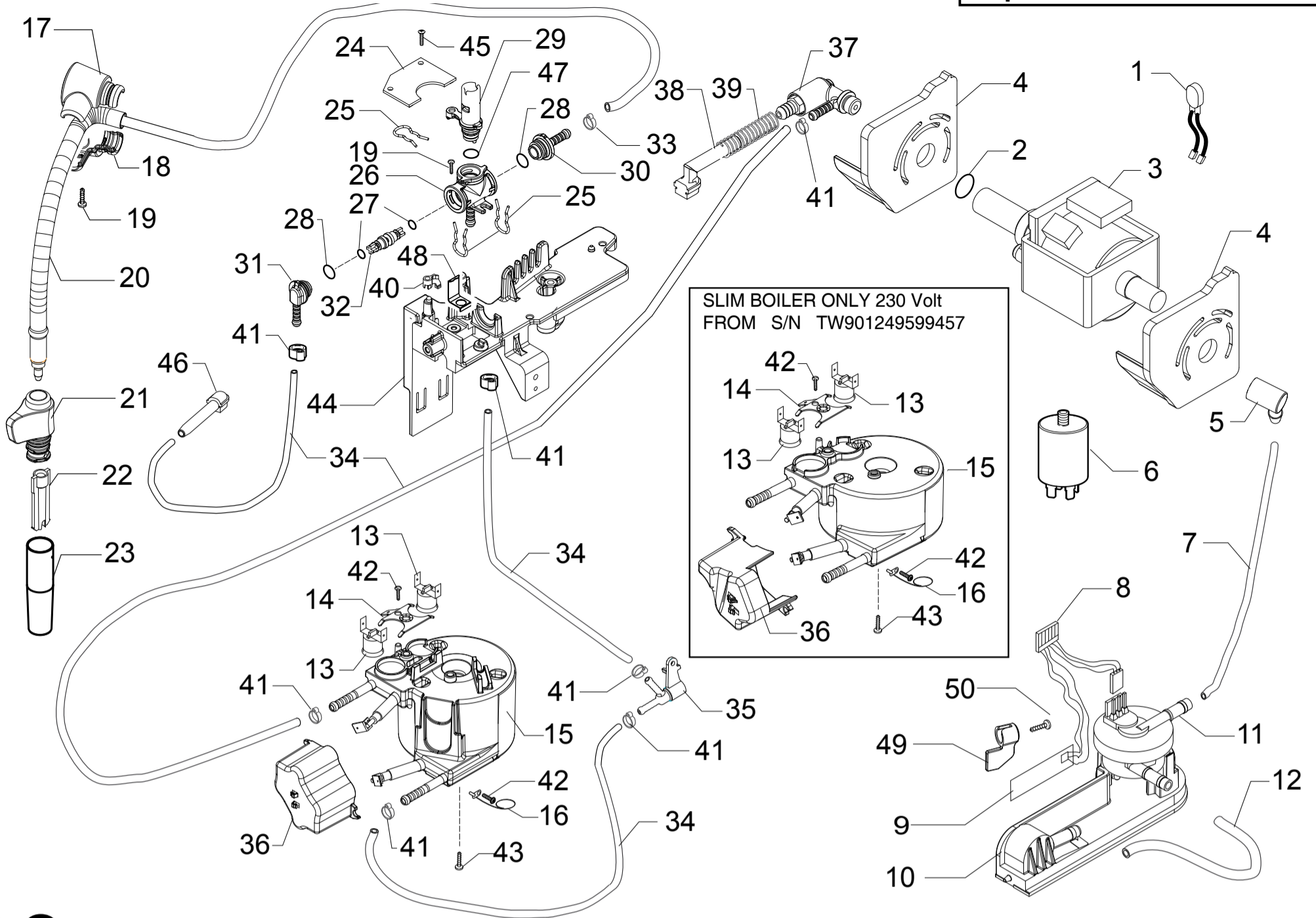


Cod.10002746-40-2855-3074-75-2796-97-99

Cod.10002798-2804-56-57-79-10002900-29-38

POS	CODE	12NC	DESCRIPTION	NOTE	POS	CODE	12NC	DESCRIPTION	NOTE
01	11011220	996530005994	SPECCH.COFF.HEIGHT REGULATION NUT P0049						
	11004100	996530002042	CHROM.COFFEE HEIGHT REGULATION NUT P0049						
02	11001788	996530001022	AMBRA COFFEE DISPENSER LENS P0049						
03	11011223	996530005996	SPEC.FRONT COFF.DISPENS.COVER S/SC.P0049						
04	11001772	996530001015	BLACK COFFEE DISPENSER INNER TUBE P0049						
05	11011221	996530005995	SPECCH.REAR COF.DISPENSER COVER P0049						
06	11011224	996530005997	SPECCHIATO FRONT CPU CARD SUPPORT P0049						
07	11001351	996530000768	BLACK ALLARMS BUTTON P0049						
08	11001320	996530000752	BLACK GEAR Z=19 P0049						
09	11004388	996530002267	CARBONA COFFEE BUTTON S/SCR.P0049/A						
10	11001314	996530000751	BLACK SUPPORT FOR RING NUT P0049						
11	11001353	996530000771	BLACK STEAM BUTTON P0049						
12	11001363	996530000781	SS BUTTONS SPRING P0049						
13	11001334	996530000757	BLACK COFFEE BUTTON SPACER P0049/A						
14	20003340	996530010152	KIT SPARES CPU+SW V2 P0049 ASSY. <b>UP TO S/N. TW901249599456</b>						
	20007210	996530073293	KIT SPARES CPU+SW SB P0049 ASSY. <b>FROM S/N. TW901249599457</b>						
15	11001299	996530000734	BLACK REAR CPU CARD SUPPORT P0049.						
16	129913202	996530013156	SCREW TCB TORX 10 3X8 PLAST.ZN-B						
17	12000450	996530007819	SCREW TCB TORX 10 3,5X12 PLAST.ZN-N						
18	11001758	996530001002	PIN WITH BLACK INSERT P0049 ASSY.						
19	11001335	996530000758	BLACK DRIP TRAY PIN INSERT P0049						
20	17002054	996530072781	BLACK DRIP TRAY SUPPORT V2 P0049						
21	11001364	996530000782	SS DRIP TRAY MOVE SPRING P0049						
22	11001294	996530000728	BLACK DRIP TRAY GUIDE P0049						
23	11011128	996530005981	SPECCHIATO DRIP TRAY GRATE P0049						
24	11009633	996530005476	CARBONA DRIP TRAY P0049						
25	11007037	996530004003	SPECCHIATO DRIP TRAY PROTECTION V2 P0049						





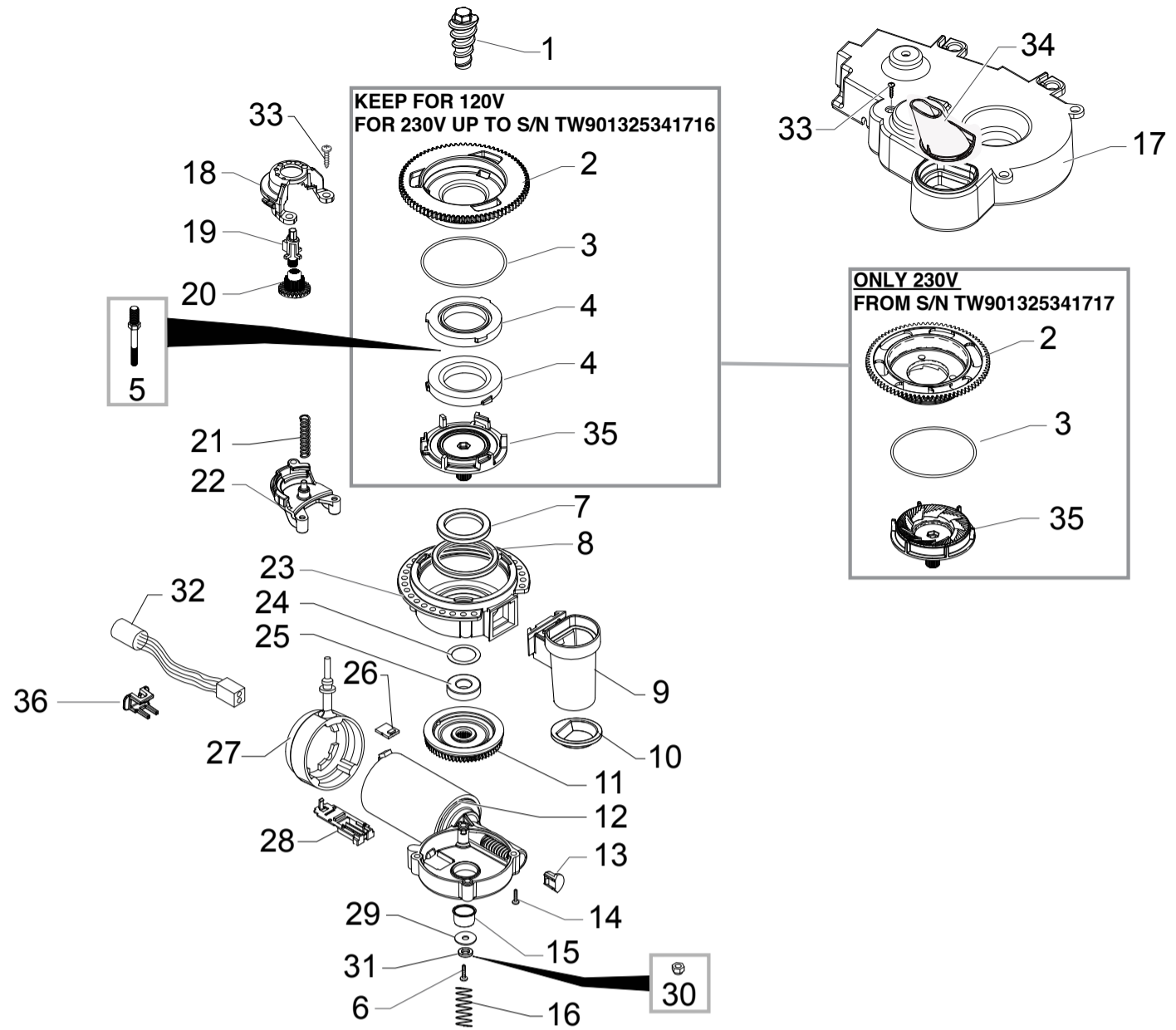
**Saeco** SUP031O  
INTERNATIONAL GROUP

RI9752/01/02/05/31/32/41/43/48



Cod.10002746-40-2855-3074-75-2796-97-99  
Cod.10002798-2804-56-57-79-10002900-29-38

POS	CODE	12NC	DESCRIPTION	NOTE	POS	CODE	12NC	DESCRIPTION	NOTE
01	11005668	996530003036	2POLES CONNECTOR PUMP P0049 UL	100V-230V	25	11001499	996530000853	SS FAUCET FORK SPRING P0049	
02	140321961	996530013471	O-RING 2031 TERMOIL	WITH PART.N°37	26	11004625	996530002455	TEA/BRASS FAUCET CASING P0049	
03		421941305991	ULKA PUMP EP5FMGW 230V-50HZ	230V-50HZ	27	12001614	996530067769	OR 2012 IN EPDM PEROX.FOOD 70 SH	
		12000130	ULKA PUMP EP5/S GW	100V-50/60HZ	28	12001613	996530067867	O-RING 108 EPDM PEROX.FOOD 70 SH	
		12000142	ULKA PUMP EAP5/S	120V-60HZ	29	11025776	996530067941	PLAST/BRASS FAUCET SHAFT V2 P0049 ASSY.	
		12000182	ULKA PUMP EP5/S GW	220V-60HZ	30	11001546	996530000891	BLACK FAUCET STRAIGHT CONNECTOR P0049	
04	11006296	996530003462	BLACK PUMP SUPPORT P0049 ASSY.		31	11001544	996530000888	BLACK FAUCET CONNECTOR P0049	
05	147920150	996530017348	90° INLET PUMP CONNECTOR		32	11004134	996530002075	TEA/BRASS FAUCET SHAFT P0049	
06	12000005	996530007709	ANTIDISTURB FILTER 10A FNC 1005474103P	230V	33	NF11.052	996530059178	OETIKER CLIP	
	12000007	996530007711	QUICK-LOCK ANTIDISTURB FILTER 16A	120V	34	16000380	996530009505	5X8,9 SILICONE TUBE	IN ROLL
	12001363	996530008036	QUICK-LOCK ANTIDISTURB FILTER 16A	100V	35	11001330	996530000753	BLACK CONNECTOR FOR PIN BOILER P0049	
07	149360200	996530018269	SILICONE TUBE 5X8 70SR	IN ROLL	36	11005284	996530002821	BLACKBOILER CONNECTORS COVER P0049/P0053	STD BOILER
08	11005648	996530003031	6 POLES CONNECT.LEVEL+FLOWMETER P0049 UL	110V - 230V		17000386	996530066737	BLK BOILER CONNECTORS COVER P0049/P0053	SLIM BOILER
09	11000651	996530000425	WATER LEVEL SENSOR BOARD P124	100V - 120V	37	11004689	996530002484	TEA/BRASS SAFETY VALVE 16-18 BAR ASSY.	
	11003232	996530001522	AS.CPU+SW WATER LEVEL SENSOR V2	230V	38	11001629	996530000934	BLK PUMP WATER DESCARGING CONNECT.P0049	
10	11003670	996530001828	BLACK TURBINE SUPPORT V2 P0049		39	11005003	996530002662	SS DESCARGING WATER CONNECT.SPRING P0049	
11	12000781	996530007887	TURBINE D=1,2 932-8521/90 ASSY.		40	11008876	996530005077	BLK BRASS FAUCET BLOCK INSERT P0049/A	
12	JS01.022	996530057357	SILICONE TUBE 5X10 60SH	IN ROLL	41	12000892	996530007947	OETIKER CLAMP D=9,5 16700004	
13	189428600	996530026958	THERMOSTAT 175° 1NT-08L-5125	(ONLY FOR 120V)	42	12001715	996530069758	SCREW TCB TORX 20 M4X8 AUTOFORMING ZN-B	
			<b>UP TO S/N.9008SA40365462</b>		43	129932502	996530013201	SCREW TSP 5X30 PLAST.ZN-B	STD BOILER
			<b>FROM S/N.9008SA40365463</b>			12001369	996530008039	SCREW TSP TORX 10 5X35 PLAST.SS	SLIM BOILER
			THERMOSTAT ONE SHOT 175°	STD BOILER	44	11001332	996530000755	BLACK BOILER-FAUCET-VALVE SUPPORT P0049	
		262279998757	THERMOSTAT OPEN/CLOSE 190/-35DEGC B	SLIM BOILER	45	129913202	996530013156	SCREW TCB TORX 10 3X8 PLAST.ZN-B	
14	11001751	996530000997	TUB.BOILER V3 UPPER THERM.FIXING SPRING		46	11001630	996530000935	BLK MILK ISLAND DESCARG.WATER CONN.P0049	
15	11011341	996530006025	V4 TUB.BOILER ASSY.	STD BOILER	47	12001615	996530067929	OR 2025 IN EPDM PEROX.FOOD 70 SH	
			<b>UP TO S/N. TW901249599456</b>		48	11002957	996530001408	SS.FAUCET FOR SPRING P0049	
			<b>FROM S/N. TW901249599457</b>		49	17001879	996530073171	BLK CAPACIT.SENSOR DEADLOCK INSERT P0049	
			SLIM TUB.BOILER 1300W 230V ASSY.	SLIM BOILER	50	12000450	996530007819	SCREW TCB TORX 10 3,5X12 PLAST.ZN-N	
			<b>FROM S/N. TW901249599456</b>			11025775	996530067768	TEA/BRASS FAUCET V2 P0049-P0053 ASSY.	COMPLETE
			<b>FROM S/N. TW901249599457</b>			11001748	996530000994	TUB.BOILER P0049/A 230V ASSY.	STD BOILER
			V3 TUB.BOILER ASSY.	120V 1300W				<b>UP TO S/N. TW901249599456</b>	
			V3 TUB.BOILER ASSY.	100V 1300W				<b>FROM S/N. TW901249599457</b>	
16	190800100	996530026997	TEMPERATURE SENSOR NTC UL L=280MM					SLIM TUB.BOILER P0049/A 230V ASSY.	SLIM BOILER
17	11004196	996530002117	CHROM.UPPER STEAM TUBE COVER P0049					<b>FROM S/N. TW901249599457</b>	
18	11004197	996530002118	CHROM.LOWER STEAM TUBE COVER P0049					TUB.BOILER P0049/A 120V ASSY.	COMPLETE
19	129913902	996530013164	SCREW TCB TORX 10 3X12 PLAST.ZN-B					TUB.BOILER P0049/A 100V ASSY	COMPLETE
20	11022486	996530007383	TF/CHROM.STEAM TUBE V2 P0049/P0053 ASSY.						
21	-	421941300681	BLK/SIL.STEAM TUBE HANDGRIP P0049						
22	11001620	996530000925	BLACK PANNARELLO INNER TUBE P0049						
23	11001769	996530001012	BLACK PANNARELLO COVER P0049						
23	11001621	996530000926	SS PANNARELLO COVER P0049						
24	11007569	996530004425	FAUCET ELECTRONIC CARD G0053 ASSY.						



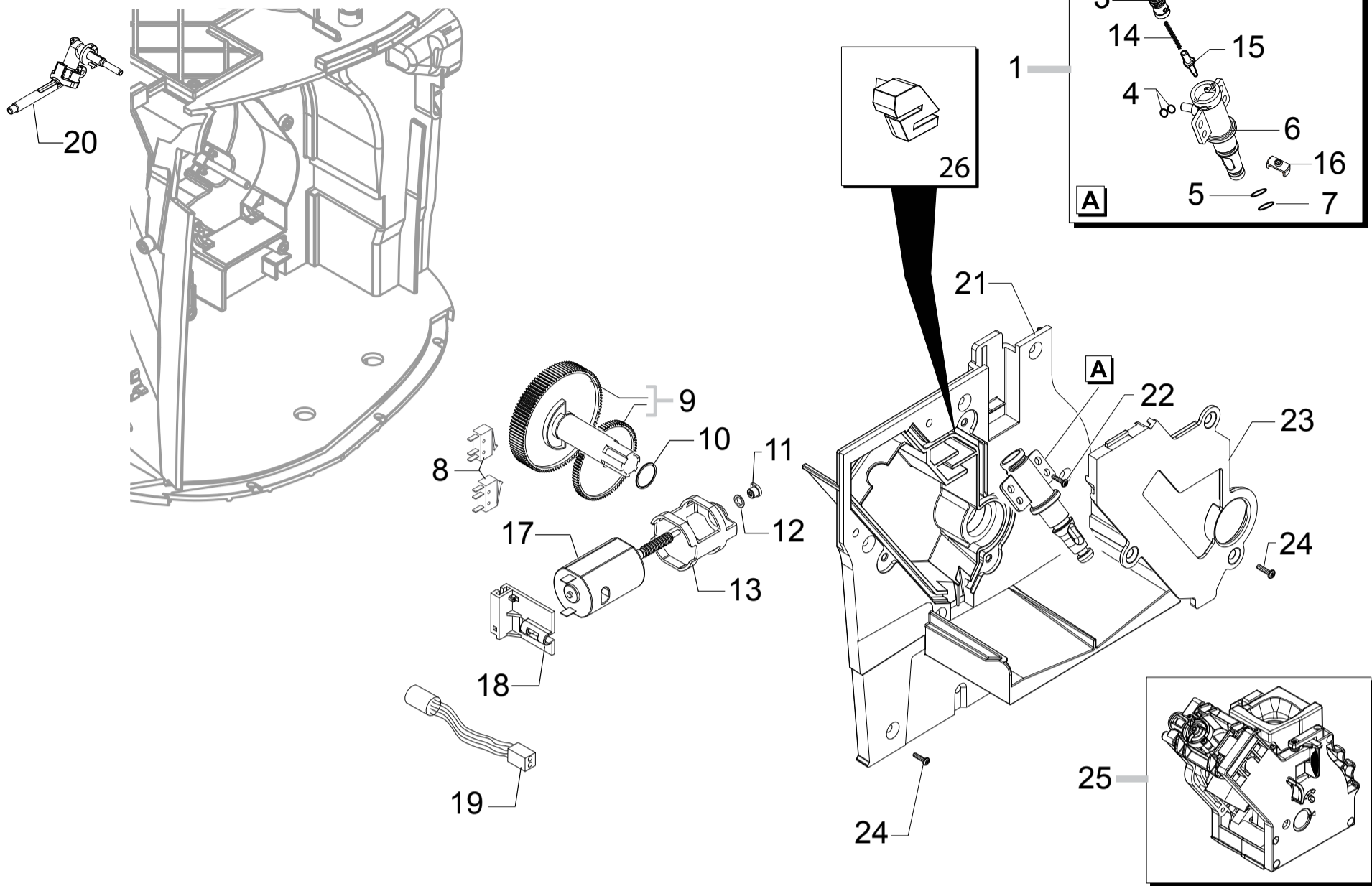
**Saeco** SUP031O  
INTERNATIONAL GROUP

RI9752/01/02/05/31/32/41/43/48



Cod.10002746-40-2855-3074-75-2796-97-99  
Cod.10002798-2804-56-57-79-10002900-29-38

POS	CODE	12NC	DESCRIPTION	NOTE	POS	CODE	12NC	DESCRIPTION	NOTE
01	9141.001	996530050195	BRASS INCREMENT SCREW MC <b>UP TO S/N. 9008SA40315750</b>		25	123030200	996530011182	RADIAL BEARING 61900.2RS1	
	11011205	996530005991	TEA ZAMA INCREASE SCREW GRINDER <b>FROM S/N. 9008SA40315751</b>		26	181540900	996530022784	ELECTR.BOARD WITH SENSOR HAL506 SF-K	
02	-	421941094152	BLK COF.GRINDER UPPER GRINDER SUPPORT V2 <b>FOR 230V UP TO S/N TW901325341716</b>	<b>KEEP FOR 120V</b>	27	11001367	996530000785	BLACK COFFEE GRINDER SUPPORT P0049	
	11027349	996530073677	BLK UPPER SUPPORT WITH COMOLDED MILL V2 <b>FROM S/N TW901325341717</b>	<b>ONLY 230V</b>	28	149199050	996530017963	BLK SENSOR SUPPORT FOR COF.GRINDER MOTOR	
03	140328960	996530013577	OR ORM 0530-15 NBR FDA		29	128381902	996530012375	STEEL FLAT WASHER DI=4,3 DE=14 SP=1,5	
04	146520100	996530016342	BAKED CLAY GRINDER 48X28 <b>FOR 230V UP TO S/N TW901325341716</b>	<b>KEEP FOR 120V</b>	30	123453102	996530011241	GALV.SELF LOCK NUT HIGH M4 DIN 982 <b>UP TO S/N. 9008SA40315750</b>	
05	127473603	996530012028	STEEL PIN M4-M6 FOR INCREMENT SCREW <b>UP TO S/N. 9008SA40315750</b>		31	128310402	996530012341	GALV.WASHER UNI 8842 A4 <b>FROM S/N. 9008SA40315751</b>	
06	129574802	996530012928	SCREW TCB TORX 20 M4X30 ZN-B <b>FROM S/N. 9008SA40315751</b>		32	11005658	996530003033	5POLES CONNECTOR MC SENSORS P0049 UL	100V+230V
07	123030300	996530011183	AXIAL BEARING EKKO 342.35252		33	129914002	996530013165	SCREW TCB TORX 10 3,5X16 PLAST.ZN-B	
08	140360500	996530013597	FELT RING 45,4X39,4X4		34	11004199	996530002119	BLACK BREW UNIT CONDENSE CONVEYOR P0049	
09	11026355	996530068049	BLK GROUND COFF.OUTLET CONVEYOR V4 ASSY.		35	149198350	996530017952	BLK COF.GRINDER LOWER GRINDER SUPPORT V3 <b>FOR 230V UP TO S/N TW901325341716</b>	<b>KEEP FOR 120V</b>
10	11030459	996530072511	GRY GROUND COFFEE CONT.LOWER SEAL SMART1		35	11027348	996530073671	BLK LOWER SUPPORT WITH COMOLDED MILL V2 <b>FROM S/N TW901325341717</b>	<b>ONLY 230V</b>
11	226000300	996530029609	GEAR SX Z=38 FOR GRINDER MOTION ASSY.		36	17001921	996530072477	BLK WIRING FIX INSERT FOR GRINDER BOARD	
12	11000513	996530000317	MOTOR COFFEEGRINDER V3.1 ASSY.	230V		11007416	996530004292	GEN.MOTOR COF.GRINDER V2 P0049 230V ASSY <b>UP TO S/N TW901325341716</b>	
	11000511	996530000315	MOTOR COFFEEGRINDER V3.1 ASSY.	120V		-	421941303031	AS.GEN.MOTORE MC COST.P0049 230V <b>FROM S/N TW901325341717</b>	
	11000512	996530000316	MOTOR COFFEEGRINDER V3.1 ASSY.	100V		11007417	996530004293	GEN.MOTOR COF.GRINDER V2 P0049 120V ASSY	
13	149214800	996530018139	MC V3 MOD=1,25 WORM SCREW CENTRING CAP			11007418	996530004294	GEN.MOTOR COF.GRINDER V2 P0049 100V ASSY	
14	129661702	996530012992	SCREW TCB TORX 3,5X30 PLAST.ZN-B						
15	11002873	996530001389	INSULATOR BUSH FOR GRINDER MOTOR P124						
16	11000597	996530000376	COFFEE GRINDER SUPPORT SPRING P124						
17	11001826	996530001044	COFFEE GRINDER SOUNDPROOFING COVER P0053						
18	11002508	996530001296	UPPER COFFEEGRINDER GEAR SUPPORT P124						
19	11003446	996530001673	BLACK BEAN COFFEE GRINDER INSERT P0049						
20	11003784	996530001907	COFFEE GRINDING ADJUSTMENT GEAR P0049						
21	11002572	996530001308	COFFEEGRINDER REGULATION SPRING P124						
22	11002613	996530001314	LOWER COFFEEGRINDER GEAR SUPPORT P124						
23	142905450	996530015258	BLK UPPER BODY WITH COFFEE GROUND OUTLET						
24	128381800	996530012374	STEEL CRINKLE WASHER 21,8X14X0,25						



**Saeco** SUP031O  
INTERNATIONAL GROUP

RI9752/01/02/05/31/32/41/43/48

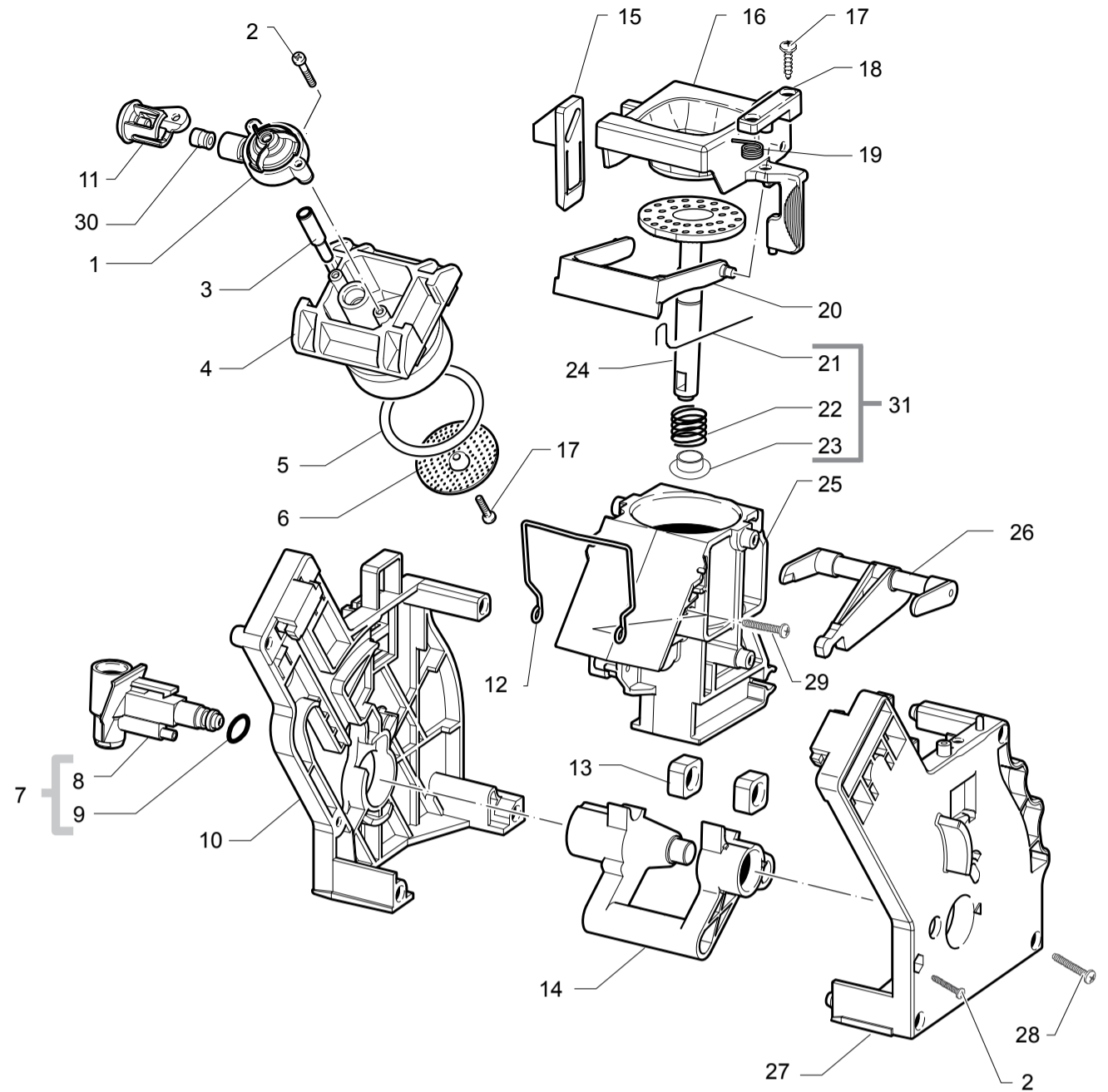


Cod.10002746-40-2855-3074-75-2796-97-99  
Cod.10002798-2804-56-57-79-10002900-29-38

POS	CODE	12NC	DESCRIPTION	NOTE	POS	CODE	12NC	DESCRIPTION	NOTE
01	11005060	996530002717	PIN V2 FOR BOILER P119 ASSY.						
02	140324459	996530013508	OR ORM 0060-20 SILICONE PTFE/FDA						
03	11003820	996530001932	BLACK CAP V2 FOR PIN BOILER P119						
04	140328059	996530013564	OR 2015 SILICONE PTFE/FDA						
05	NM01.035	996530059399	OR ORM 0090-20 SILICONE						
06	11003801	996530001926	NAT.PIN V2 FOR BOILER P119						
07	NM01.057	996530059419	OR ORM 0050-20 IN SILICONE						
08	NE05.038	996530058869	MICROSWITCH SAIA XCG5-81-P5						
09	20000900	996530009913	SPARES KIT GEARS FOR RATIOMOTOR V2						
10	9161.132	996530050569	MYLAR WASHER FOR RATIOMOTOR						
11	9121.046	996530049898	BRONZE SINTERED BUSH FOR MOTOR RATIOMOT.						
12	148380200	996530017424	BAKELIZZATE WASHER D=5,5						
13	9121.044	996530049896	ANTIVIBRATION FOR MOTOR						
14	9011.132	996530048874	SS SPRING FOR PIN						
15	11009019	996530005183	TEA/BRASS PISTON L=20,9 ASSY.						
16	11005099	996530002747	NATURAL CURSOR V2 FOR BOILER P119						
17	11005214	996530002796	MOTOR FOR RATIOMOTOR P124 ASSY.						
18	11001331	996530000754	BLACK DUMP BOX MICROSWITCH SUPPORT P0049						
19	11003661	996530001819	REED SENSOR MK3-1A66-BV16451						
20	20006884	996530067764	KIT COUNTER PISTON+COFF.DISP.VALVE P0049 <b>UP TO S/N.9008SA40436654</b>						
	11010544	996530005801	COFFEE DISPENSING VALVE V4 P0049 ASSY. <b>FROM S/N. 9008SA40436655</b>						
21	11006337	996530003482	BLACK COVER MOUNTING PLATE P0049 ASSY.						
	11009287	996530005378	BLACK COVER MOUNTING PLATE P0049 UL ASSY						
22	129914002	996530013165	SCREW TCB TORX 10 3,5X16 PLAST.ZN-B						
23	11001312	996530000748	BLACK COVER FOR BOILER VAIN P0049						
	11009284	996530005375	BLACK COVER FOR BOILER VAIN P0049 UL						
24	129914102	996530013166	SCREW TSP TORX 10 3,5X12 PLAST.ZN-B						
25	11002145	996530001182	BLACK BREW UNIT 8GR/SBS P124 <b>UP TO S/N.9008SA40436654</b> <b>SEE TABLE 6</b>						
25		421944036901	BLK BREW UNIT 8GR.5BAR V3 P0057 <b>FROM S/N.9008SA40436655</b> <b>SEE TABLE 7</b>						
26	11022216	996530007256	BLACK MOUNTING PLATE COVER PROTECT.P0049						



UP TO S/N 9008SA40436654



**Saeco** SUP0310  
INTERNATIONAL GROUP

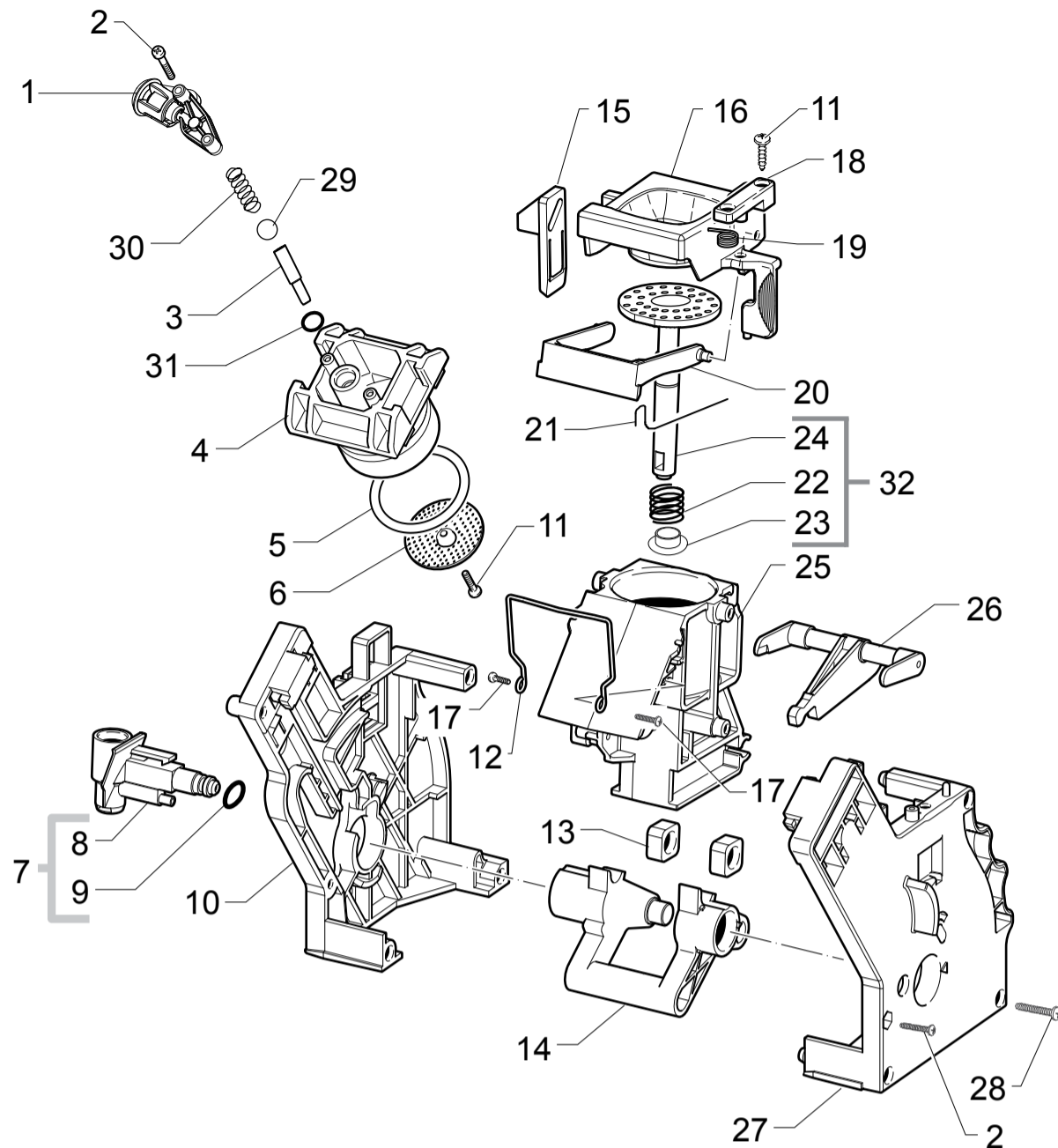
RI9752/01/02/05/31/32/41/43/48



Cod.10002746-40-2855-3074-75-2796-97-99  
Cod.10002798-2804-56-57-79-10002900-29-38

POS	CODE	12NC	DESCRIPTION	NOTE	POS	CODE	12NC	DESCRIPTION	NOTE
01	11010660	996530005823	SBS VALVE STD ASSY.						
02	12000550	996530007838	SCREW TCB TORX 10 3X25 PLAST.SS						
03	11009276	996530005372	BLK COUNTER PISTON TUBE BREW UNIT S0053						
04	11001840	996530001046	BLACK COUNTER PISTON BREW UNIT 8GR.P124						
05	NM01.044	996530059406	OR ORM 0320-40 SILICONE PTFE/FDA						
06	9161.268	996530050709	PERCOLATOR DE=35,8 ELFO						
07	20000440	996530009825	BLACK WATER INLET SLEEVE BREW UNIT ASSY.						
08	9161.064.050	996530050488	BLACK WATER INLET SLEEVE BREW UNIT ROYAL						
09	NM02.007	996530059441	OR 2025 IN TERMOIL						
10	9161.375.050	996530050832	BLACK BREW UNIT REAR PLATE SMART						
11	145899250	996530016147	BLK COFFEE CONNECTION BREW UNIT P124						
12	11001556	996530000898	SS BREW UNIT SPRING H=49 SMART						
13	9161.094.150	996530050541	GREY BREW UNIT DRILLED BLOCK						
14	9161.066.050	996530050492	BLACK BREW UNIT ELBOW SHAFT M5000						
15	9161.373.050	996530050827	BLACK BREW UNIT COUPLING PLATE SMART						
16	149261350	996530018241	BLACK HOPPER DOSER BREW UNIT SMART1						
17	12000895	996530007951	SCREW TSP TORX 10 3X10 PLAST.SS						
18	9161.374.050	996530050829	BLK BREWUNIT HOPPER BLOCKING PLATE SMART						
19	9161.378	996530050838	SS HOPPER SPRING FOR BREW UNIT SMART						
20	11004161	996530002096	BLACK SCRAPER FOR BREW UNIT M5000						
21	9161.046	996530050455	SS SCRAPER SPRING FOR BREW UNIT						
22	9161.198	996530050627	SS.8GR.BREW UNIT PISTON SPRING						
23	9161.191	996530050618	WHITE 8GR.-12GR.BREW UNIT PISTON BUSH						
24	11003077	996530001451	BLK BREW UNIT INTEGRAL PISTON 8GR.ASSY.						
25	11003075	996530001448	BLACK COFFEE CONTAINER BREW UNIT P124						
26	11003078	996530001452	BLACK CONNECTING ROD BREW UNIT 8GR.						
27	11005920	996530003228	BLACK BREW UNIT FRONT PLATE S/SCR.SMART						
28	12000897	996530007953	SCREW TCB TORX 10 3,5X20 PLAST.SS						
29	129912521	996530013148	SCREW TCB TORX 10 3,5X14 PLAST.SS						
30	145857962	996530016004	BLACK COFFEE CONNECTOR INSERT SEAL P124						
31	11023086	996530007577	BLK 8GR.BREW UNIT NTEGR.PISTON GEN.ASSY.						
	11002145	996530001182	BLACK BREW UNIT 8GR/SBS P124 <b>UP TO S/N 9008SA40436654</b>						

FROM S/N 9008SA40436655



**Saeco** SUP0310  
INTERNATIONAL GROUP

RI9752/01/02/05/31/32/41/43/48



Cod.10002746-40-2855-3074-75-2796-97-99  
Cod.10002798-2804-56-57-79-10002900-29-38

POS	CODE	12NC	DESCRIPTION	NOTE	POS	CODE	12NC	DESCRIPTION	NOTE
01	11009362	996530005415	BLK COF.OUTLET SLEEVE BREW UNIT S0053 AS						
02	12000550	996530007838	SCREW TCB TORX 10 3X25 PLAST.SS						
03	11009276	996530005372	BLK COUNTER PISTON TUBE BREW UNIT S0053						
04	11001840	996530001046	BLACK COUNTER PISTON BREW UNIT 8GR.P124						
05	NM01.044	996530059406	OR ORM 0320-40 SILICONE PTFE/FDA						
06	9161.268	996530050709	PERCOLATOR DE=35,8 ELFO						
07	20000440	996530009825	BLACK WATER INLET SLEEVE BREW UNIT ASSY.						
08	9161.064.050	996530050488	BLACK WATER INLET SLEEVE BREW UNIT ROYAL						
09	NM02.007	996530059441	OR 2025 IN TERMOIL						
10	9161.375.050	996530050832	BLACK BREW UNIT REAR PLATE SMART						
11	12000895	996530007951	SCREW TSP TORX 10 3X10 PLAST.SS						
12	11001556	996530000898	SS BREW UNIT SPRING H=49 SMART						
13	9161.094.050	996530050539	BLACK BREW UNIT DRILLED BLOCK						
14	9161.066.050	996530050492	BLACK BREW UNIT ELBOW SHAFT M5000						
15	9161.373.050	996530050827	BLACK BREW UNIT COUPLING PLATE SMART						
16	149261350	996530018241	BLACK HOPPER DOSER BREW UNIT SMART1						
17	129912521	996530013148	SCREW TCB TORX 10 3,5X14 PLAST.SS						
18	9161.374.050	996530050829	BLK BREWUNIT HOPPER BLOCKING PLATE SMART						
19	9161.378	996530050838	SS HOPPER SPRING FOR BREW UNIT SMART						
20	11004161	996530002096	BLACK SCRAPER FOR BREW UNIT M5000						
21	9161.046	996530050455	SS SCRAPER SPRING FOR BREW UNIT						
22	9161.198	996530050627	SS.8GR.BREW UNIT PISTON SPRING						
23	9161.191	996530050618	WHITE 8GR.-12GR.BREW UNIT PISTON BUSH						
24		421944025621	BLK BREW UNIT INTEGR.PISTON 8GR.V3 ASSY.						
25		421944014611	BLK COF.CONTAIN.BREW UNIT V2 M5000 ASSY.						
26	11003078	996530001452	BLACK CONNECTING ROD BREW UNIT 8GR.						
27	11005920	996530003228	BLACK BREW UNIT FRONT PLATE S/SCR.SMART						
28	12000897	996530007953	SCREW TCB TORX 10 3,5X20 PLAST.SS						
29		421944034451	BOROSILICATE SPHERE D.5 MM						
30	11012095	996530006305	SS COFFEE UNIT CONTERPISTON SPRING S0053						
31	140328761	996530013575	OR ORM 0060-15 TERMOIL						
32		421944029791	BLK BREW UNIT 8GR.INT.PISTON GEN.V3 ASSY						
		421944036901	BLK BREW UNIT 8GR.5BAR V3 P0057 <b>FROM S/N 9008SA40436655</b>						